

PORSCHE

Panamera S

MS \$89,800

Model Year 2010 Standard Equipment includes:

Engine

400 hp, 369 lb ft torque - 4.8 liter, 8 cylinder front mounted engine with aluminum alloy engine block & cylinder heads. 5 valves per cylinder. Direct Fuel Injection (DFI). Integrated dry sump lubrication system with oil cooler. "VarioCam Plus" continuously variable inlet valve timing and lift. Resonance induction intake manifold. Cylinder specific knock control. Auto start-stop function (with deactivation button on center console). Dual-twin, stainless steel tailpipes.

Power Transmission

7-speed Porsche Doppelkupplung (PDK) double clutch transmission with manual steering wheel speedshift and automatic transmission.

Chassis and Suspension

8"x18" pressure cast Panamera S wheels, 245/50ZR18 summer high performance tires - Front. 9"x18" pressure cast Panamera S wheels, 275/45ZR18 summer high performance tires - Rear. Includes anti-theft device. Rear wheel drive. TPMS – Tire Pressure Monitoring System. Puncture sealing compound and electric compressor. Power assisted steering with variable ratio. Steel suspension. Double wishbone suspension – front. Multi link LSA (Light, Stable, Agile) suspension with stabilizer bar – rear. PASM (Porsche Active Suspension Management). Enhanced PSM (Porsche Stability Management) with ABS (Anti lock Braking System), ASR (Anti Slip Regulation), ABD (Automatic Brake Differential) and EDTC (Engine Drag Torque Control).

Braking System

14.17" (front) and 12.99" (rear) vented and perforated rotors. 6 piston monobloc silver calipers – front, 4 piston monobloc silver calipers – rear. ABS 8.0 – Anti Lock Braking System, brake pad wear indicators, electric parking brake.

Body

Four door Sedan, body shell hot dip galvanized on both sides. Luggage compartment lid in aluminum. Electric sliding roof with tip open/close. Front air dam with air intakes in black. Front windows with water repellent coating. Heatable rear window. Adaptive rear spoiler. Rear logotype in chrome look. Full underbody paneling. 21.1 gallon fuel tank.

Lighting System

Bi-Xenon™ headlights with dynamic leveling, headlight washer system, welcome home function, and adaptive light system with static and dynamic cornering lights and speed-dependent headlight range control. LED daytime driving lights. LED tail and brake lights. Uniform lighting concept in white for entire interior, continuously variable.

Electrical Equipment

PCM (Porsche Communication Management) with 7" color display and full touchscreen controls. AM/FM radio with MP3 playing CD/DVD drive for audio playback. Sound system with 11 loudspeakers and 235 watt total power. On board computer w/ digital continuous indication of total mileage, trip mileage, time, outside temp and speed. Instrument cluster with high-resolution 4.8" color display, gear indicator, service interval indicator, ambient temperature display and warning indicators. Electronic oil level measurement with mileage compensation. Power windows with tip up/tip down and anti-jamming. Two speed wiper system with rain sensor, wiper delay control, heated washer nozzles. Remote central locking w/ luggage compartment release. Automatic power rear lid. Anti theft system including passenger compartment monitoring. Homelink door opener, cruise control. Four 12-volt socket outlets. Rear ParkAssist with visual and acoustic warning.

Passive Safety Equipment

Fully galvanized high strength steel body w/ front & rear deformation zones. 3 point seat belts w/ pre-tensioners and force limiters. Seat belt height adjustment. Dual front advanced airbags. Integrated side airbags in front and rear seats, curtain airbags covering roof frame and all side windows, and knee airbags for driver and front passenger. Rollover detection system enabling early deployment of curtain airbags and seat belt pretensioners. LATCH child seat mounting points on rear seats.

Interior Equipment

8-way power seats (front) with electric adjustment of seat height, fore/aft position, and seat and backrest angles. Driver memory package. Rear seating system with 2 individual seats, folding center armrest and split folding backrests (60%/40%). 3 spoke smooth leather multifunction steering wheel w/ manual reach and height adjustment. Heated front seats. Front seat inlay, front seat lateral supports, gear selector, door handle, armrests in the door panels, upper section of center console armrest trimmed in textured leather. Trim strips in high-gloss black finish accentuated with silver strips. Automatic climate control with integrated carbon filter. Three cupholders in front, two in rear. Front and rear door storage bins. Door entry guards in brushed aluminum with "Panamera S" logotype. Illuminated vanity mirror, driver and passenger.

Porsche Cars North America – United States Order Guide – 2010 Model Year
Options, Prices, content, and availability are subject to change without notice.

PORSCHE

Panamera 4S

MS \$93,800

Model Year 2010 Standard Equipment includes:

Engine

400 hp, 369 lb ft torque - 4.8 liter, 8 cylinder front mounted engine with aluminum alloy engine block & cylinder heads. 5 valves per cylinder. Direct fuel injection. Integrated dry sump lubrication system with oil cooler. "VarioCam Plus" continuously variable inlet valve timing and lift. Resonance induction intake manifold. Cylinder specific knock control. Auto start-stop function with deactivation button on center console. Dual-tube, stainless steel tailpipes.

Power Transmission

7-speed Porsche Doppelkupplung (PDK) double clutch transmission with manual steering wheel speedshift and automatic transmission.

Chassis and Suspension

8"x18" pressure cast Panamera S wheels, 245/50ZR18 summer high performance tires - Front. 9"x18" pressure cast Panamera S wheels, 275/45ZR18 summer high performance tires - Rear. Includes anti-theft device. All wheel drive. TPMS – Tire Pressure Monitoring System. Puncture sealing compound and electric compressor. Power assisted steering with variable ratio. Steel suspension. Double wishbone suspension – front. Multi link LSA (Light, Stable, Agile) suspension with stabilizer bar – rear. PASM (Porsche Active Suspension Management). Enhanced PSM (Porsche Stability Management) with ABS (Anti lock Braking System), ASR (Anti Slip Regulation), ABD (Automatic Brake Differential) and EDTC (Engine Drag Torque Control).

Braking System

14.17" (front) and 12.99" (rear) vented and perforated rotors. 6 piston monobloc silver calipers – front, 4 piston monobloc silver calipers – rear. ABS 8.0 – Anti Lock Braking System, brake pad wear indicators, electric parking brake.

Body

Four door Sedan, body shell hot dip galvanized on both sides. Luggage compartment lid in aluminum. Electric sliding roof with tip open/close. Front air dam with air intakes in black. Front windows with water repellent coating. Heatable rear window. Adaptive rear spoiler. Rear logotype in chrome look. Full underbody paneling. 26.4 gallon fuel tank.

Lighting System

Bi-Xenon™ headlights with dynamic leveling, headlight washer system, welcome home function, and adaptive light system with static and dynamic cornering lights and speed-dependent headlight range control. LED daytime driving lights. LED tail and brake lights. Uniform lighting concept in white for entire interior, continuously variable.

Electrical Equipment

PCM (Porsche Communication Management) with 7" color display and full touchscreen controls. AM/FM radio with MP3 playing CD/DVD drive for audio playback. Sound system with 11 loudspeakers and 235 watt total power. On board computer w/ digital continuous indication of total mileage, trip mileage, time, outside temp and speed. Instrument cluster with high-resolution 4.8" color display, gear indicator, service interval indicator, ambient temperature display and warning indicators. Electronic oil level measurement with motor compensation. Power windows with tip up/tip down and anti-jamming. Two speed wiper system with rain sensor, wiper delay control, heated washer nozzles. Remote central locking w/ luggage compartment release. Automatic power rear lid. Anti theft system including passenger compartment monitoring. Homelink door opener, cruise control. Four 12-volt socket outlets. Rear ParkAssist with visual and acoustic warning.

Passive Safety Equipment

Fully galvanized high strength steel body w/ front & rear deformation zones. 3 point seat belts w/ pre-tensioners and force limiters. Seat belt height adjustment. Dual front advanced airbags. Integrated side airbags in front and rear seats, curtain airbags covering roof frame and all side windows, and knee airbags for driver and front passenger. Rollover detection system enabling early deployment of curtain airbags and seat belt pretensioners. LATCH child seat mounting points on rear seats.

Interior Equipment

8-way power seats (front) with electric adjustment of seat height, fore/aft position, and seat and backrest angles. Driver memory package. Rear seating system with 2 individual seats, folding center armrest and split folding backrests (60%/40%). 3 spoke smooth leather multifunction steering wheel w/ manual reach and height adjustment. Heated front seats. Front seat inlay, front seat lateral supports, gear selector, door handle, armrests in the door panels, upper section of center console armrest trimmed in textured leather. Trim strips in high-gloss black finish accentuated with silver strips. Automatic climate control with integrated carbon filter. Three cupholders in front, two in rear. Front and rear door storage bins. Door entry guards in brushed aluminum with "Panamera 4S" logotype. Illuminated vanity mirror, driver and passenger.

Porsche Cars North America – United States Order Guide – 2010 Model Year
Options, Prices, content, and availability are subject to change without notice.

PORSCHE

Panamera Turbo

MS \$132,600

Model Year 2010 Standard Equipment includes:

Engine

500 hp, 516 lb ft torque - 4.8 liter, 8 cylinder front mounted engine with aluminum alloy engine block & cylinder heads. Exhaust turbochargers. 4 valves per cylinder. Direct fuel injection. Integrated dry sump lubrication system with oil cooler. "VarioCam Plus" continuously variable inlet valve timing and lift. Resonance induction intake manifold. Cylinder specific knock control. Auto start-stop function with deactivation button on center console. Dual-tube turbo, stainless steel tailpipes.

Power Transmission

7-speed Porsche Doppelkupplung (PDK) double clutch transmission with manual steering wheel speedshift and automatic transmission.

Chassis and Suspension

9"x19" pressure cast Panamera Turbo wheels, 255/40ZR19 summer high performance tires - Front. 10"x19" pressure cast Panamera Turbo wheels, 285/40ZR18 summer high performance tires - Rear. Includes anti-theft device. All wheel drive. TPMS – Tire Pressure Monitoring System. Puncture sealing compound and electric compressor. Power assisted steering with variable ratio. Adaptive air suspension with load-leveling system and adjustable ride height. Double wishbone suspension – front. Multi link LSA (Light, Stable, Agile) suspension with stabilizer bar – rear. PASM (Porsche Active Suspension Management). Enhanced PSM (Porsche Stability Management) with ABS (Anti lock Braking System), ASR (Anti Slip Regulation), ABD (Automatic Brake Differential) and EDTC (Engine Drag Torque Control).

Braking System

15.35" (front) and 13.78" (rear) vented and perforated rotors. 6 piston monobloc red calipers – front, 4 piston monobloc red calipers – rear. ABS 8.0 – Anti Lock Braking System, brake pad wear indicators, electric parking brake.

Body

Four door Sedan, body shell hot dip galvanized on both sides. Luggage compartment lid in aluminum. Electric sliding roof with tip open/close. Front air dam with larger air intakes in black. Front windows with water repellent coating. Heatable rear window. Adaptive rear spoiler. Rear logotype in chrome look. Full underbody paneling. Metallic paint. 26.4 gallon fuel tank.

Lighting System

Bi-Xenon™ headlights with dynamic leveling, headlight washer system, welcome home function, and adaptive light system with static and dynamic cornering lights and speed-dependent headlight range control. LED daytime driving lights. LED tail and brake lights. Uniform lighting concept in white for entire interior, continuously variable.

Electrical Equipment

PCM (Porsche Communication Management) with 7" color display and full touchscreen controls. AM/FM radio with MP3 playing CD/DVD drive for audio playback. Bose™ surround sound system with AudioPilot™, 14 loudspeakers, including subwoofer, and 505 watt total power. On board computer w/ digital continuous indication of total mileage, trip mileage, time, outside temp and speed. Instrument cluster with high-resolution 4.8" color display, gear indicator, service interval indicator, ambient temperature display, and warning indicators. Electronic oil level measurement with map compensation. Power windows with tip up/tip down and anti-jamming. Two speed wiper system with rain sensor, wiper delay control, heated washer nozzles. Remote central locking w/ luggage compartment release. Automatic power rear lid. Anti theft system including passenger compartment monitoring. Homelink door opener, cruise control. Four 12-volt socket outlets. Front and rear ParkAssist with visual and acoustic warning. Porsche entry and drive.

Passive Safety Equipment

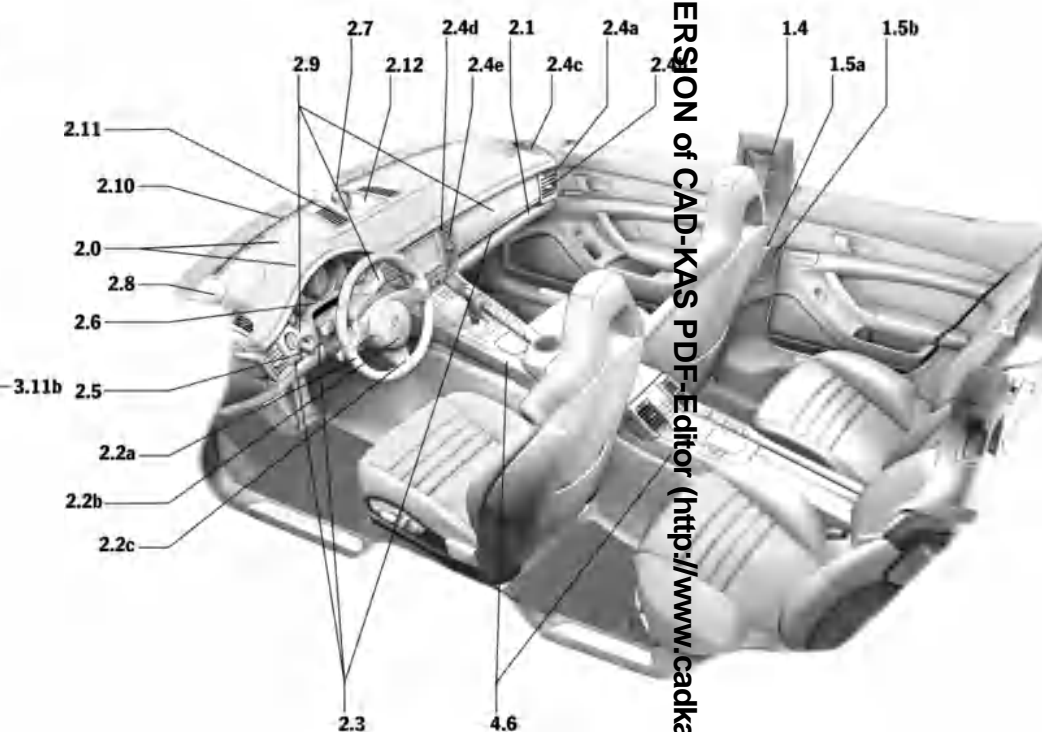
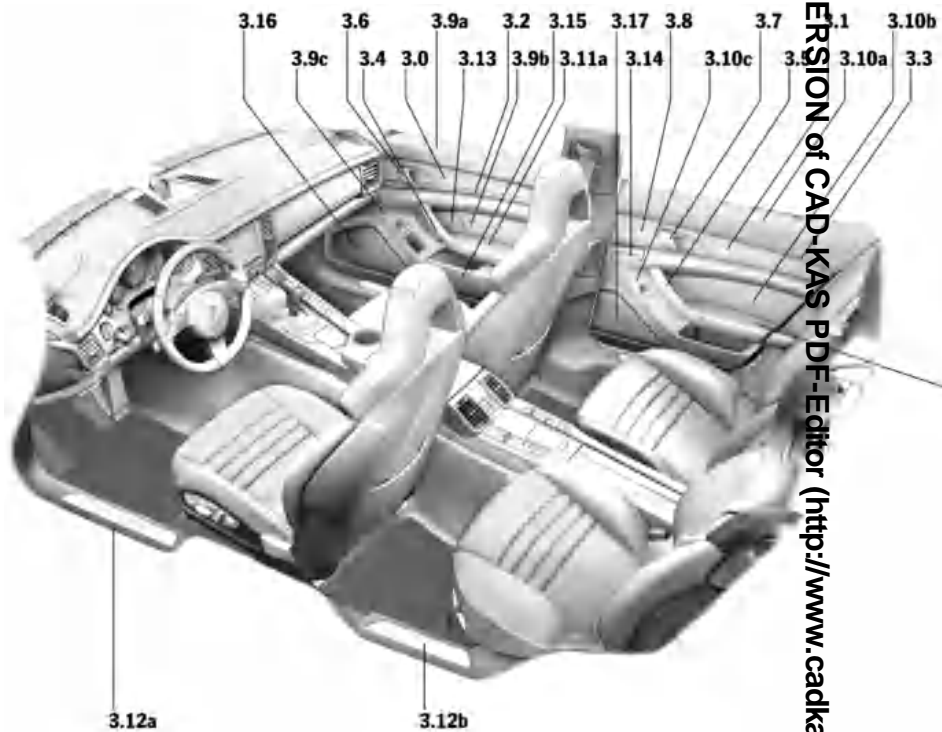
Fully galvanized high strength steel body w/ front & rear deformation zones. 3 point seat belts w/ pre-tensioners and force limiters. Seat belt height adjustment. Dual front advanced airbags. Integrated side airbags in front and rear seats, curtain airbags covering roof frame and all side windows, and knee airbags for driver and front passenger. Rollover detection system enabling early deployment of curtain airbags and seat belt pretensioners. LATCH child seat mounting points on rear seats.

Interior Equipment

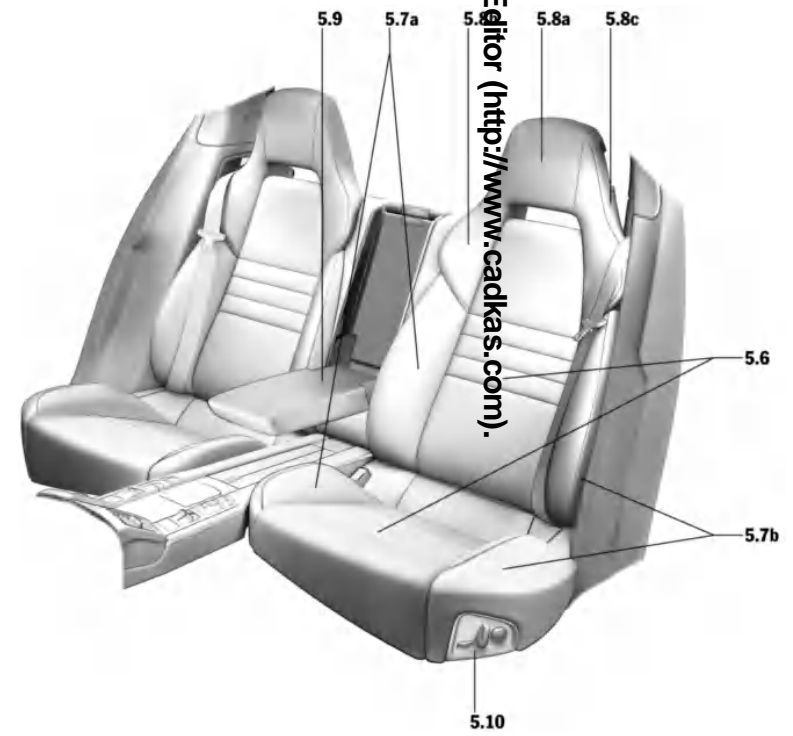
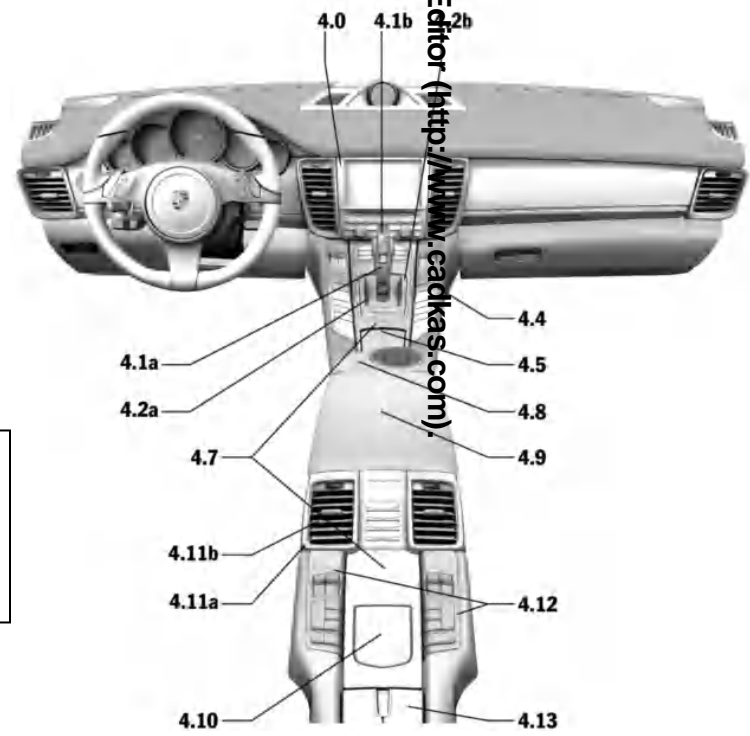
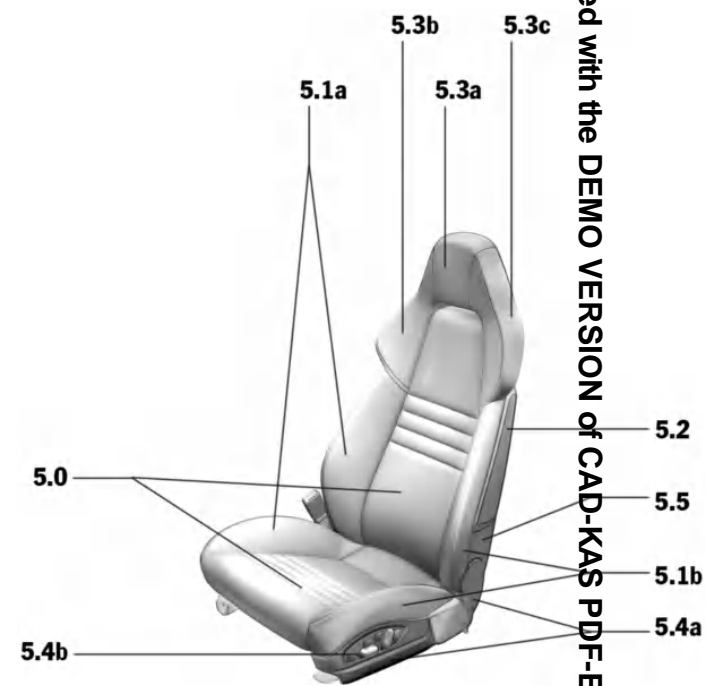
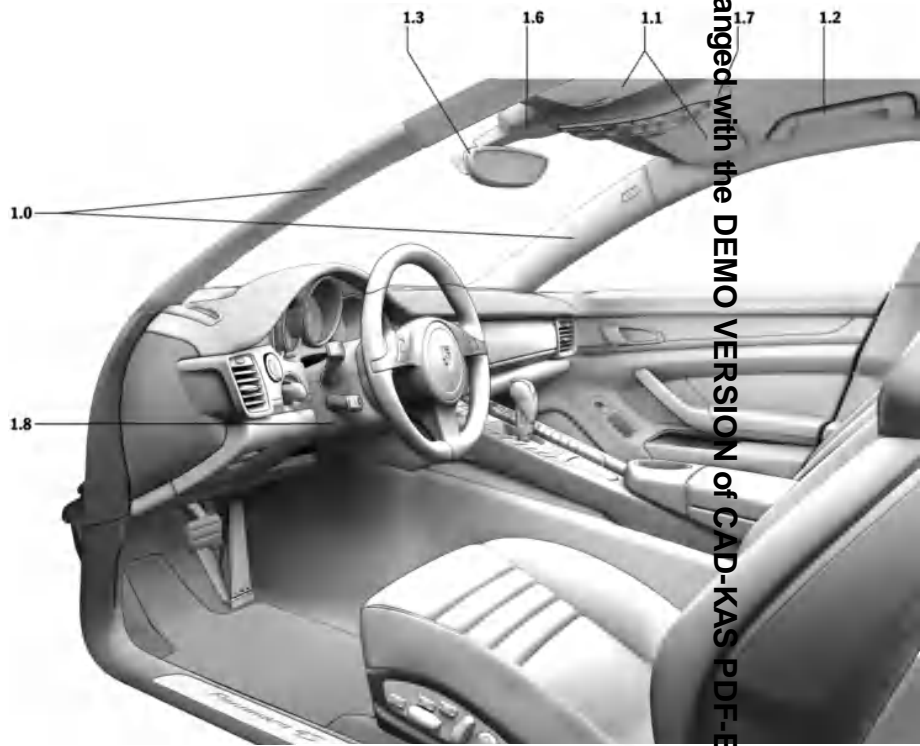
14-way power seats with memory package (front) with electric adjustment of seat height, fore/aft position, seat and backrest angles, seat cushion length, and 4-way lumbar support on driver and passenger sides. Expanded memory functions include light, wipers, A/C, door locks, instrument cluster, and PCM. Electric steering column adjustment. Rear seating system with 2 individual seats, folding center armrest and split folding backrests (60%/40%). 3 spoke smooth leather multifunction steering wheel w/ manual reach and height adjustment. Heated front and rear seats. Full leather interior. Interior walnut package. Alcantara roofliner, including A and B pillars and sun visors. Automatic climate control with integrated carbon filter. Three cupholders in front, two in rear. Front and rear door storage bins. Door entry guards in brushed aluminum with "Panamera Turbo" logotype. Illuminated vanity mirror, driver and passenger.

Porsche Cars North America – United States Order Guide – 2010 Model Year
Options, Prices, content, and availability are subject to change without notice.

PORSCHE



Panamera
Revision 04.27.09
Page 1 of 3



Panamera
Revision 04.27.09
Page 2 of 3

1	Roof lining and pillars	3	Front and rear doors	4.4	Center console switch panel surround
1.0	A-pillar trim	3.0	Front door decorative trim	4.5	Front ashtray
1.1	Sun visors	3.1	Rear door decorative trim	4.6	Lower section of center console
1.2	Roof grab handles	3.2	Accent trim on front door	4.7	Decorative plate on top of center console
1.3	Rearview mirror	3.3	Accent trim on rear door	4.8	Front section of armrest
1.4	Upper B-pillar trim	3.4	Front door handle	4.9	Center console armrest
1.5a	Rear side air vent	3.5	Rear door handle	4.10	Rear cupholder cover
1.5b	Rear side air vent slats	3.6	Front door release lever	4.11a	Rear center air vent
1.6	Aerial cover	3.7	Rear door release lever	4.11b	Rear center air vent slats
1.7	Overhead console surround	3.8	Rear door speaker trim	4.12	Rear center console control panel surround
1.8	Steering column casing	3.9a	Front upper door trim	4.13	Rear center console storage compartment lid
		3.9b	Front door center panel		
		3.9c	Front lower door trim	5	Seats front and rear
2	Dashboard and steering wheel	3.10a	Rear upper door trim	5.0	Seat center, front
2.0	Front/upper dashboard, incl. instrument shroud	3.10b	Rear door center panel	5.1a	Inner seat bolsters, front
2.1	Lower dashboard, incl. glove compartment cover	3.10c	Rear lower door trim	5.1b	Outer seat bolsters, front
2.2a	Steering wheel rim	3.11a	Front door panel armrest	5.2	Thorax airbag cover, front
2.2b	Steering wheel airbag module	3.11b	Rear door panel armrest	5.3a	Headrest center, front
2.2c	Airbag surround incl. steering wheel spoke trim	3.12a	Front door sill guards	5.3b	Inner headrest side bolsters, front
2.3	Dashboard accent trim	3.12b	Rear door sill guards	5.3c	Outer headrest side bolsters, front
2.4a	Front side air vent	3.13	Front midrange speaker trim	5.4a	Seat lower side trim, front
2.4b	Front side air vent slats	3.14	Rear ashtray	5.4b	Front seat controls, including trim panel
2.4c	Side defroster vent	3.15	Front door storage compartment lid	5.5	Backrest shell, front
2.4d	Front center air vent	3.16	Front bass speaker trim	5.6	Seat center, rear
2.4e	Front center air vent slats	3.17	Rear bass speaker trim	5.7a	Inner seat bolsters, rear
2.5	Ignition lock surround			5.7b	Outer seat bolsters, rear
2.6	Instrument surround	4	Front and rear center console	5.8a	Headrest center, rear
2.7	Dashboard timer shroud	4.0	Screen and dashboard trim	5.8b	Inner headrest side bolsters, rear
2.8	Front tweeter speaker trim	4.1a	Gear lever/PDK gear selector	5.8c	Outer headrest side bolsters, rear
2.9	Dashboard decorative trim	4.1b	Gearshift lever on PDK gear selector/PDK release	5.9	Rear folding armrest with storage compartment
2.10	Windshield defroster panel	4.2a	Gear lever/PDK gear selector gate	5.10	Rear seat controls, including
2.11	Center air vent, upper dashboard	4.2b	Gear lever/PDK gear selector gate surround		
2.12	Center dashboard speaker trim				

Panamera

Revision 04.27.09

Page 3 of 3

Order Guide

Option	Description	Must Pick	Required	Conflict	Model	Price (USD)
Standard Paint						
A1	Black				Panamera S	\$0
					Panamera 4S	\$0
					Panamera Turbo	\$0
B4	Carrara White				Panamera S	\$0
					Panamera 4S	\$0
					Panamera Turbo	\$0
Optional Metallic Paint						
1A	Carbon Grey Metallic				Panamera S	\$760
					Panamera 4S	\$760
					Panamera Turbo	\$0
1H	Platinum Silver Metallic				Panamera S	\$760
					Panamera 4S	\$760
					Panamera Turbo	\$0
A6	Ruby Red Metallic				Panamera S	\$760
					Panamera 4S	\$760
					Panamera Turbo	\$0
J3	Topaz Brown Metallic				Panamera S	\$760
					Panamera 4S	\$760
					Panamera Turbo	\$0
J6	Jet Green Metallic				Panamera S	\$760
					Panamera 4S	\$760
					Panamera Turbo	\$0
N4	Dark Blue Metallic				Panamera S	\$760
					Panamera 4S	\$760
					Panamera Turbo	\$0
R9	Yachting Blue Metallic				Panamera S	\$760
					Panamera 4S	\$760
					Panamera Turbo	\$0

changed with the DEMO VERSION of CAD-KAS PDF-Editor (http://www.cadkas.com).

Changed with the DEMO VERSION of CAD-KAS PDF-Editor (http://www.cadkas.com).

Changed with the DEMO VERSION of CAD-KAS PDF-Editor (http://www.cadkas.com).

Option	Description	Must Pick	Required	Conflict	Model	Price (USD)
Y8	Mahogany Metallic				Panamera S	\$760
					Panamera 4S	\$760
					Panamera Turbo	\$0
Z4	Basalt Black Metallic				Panamera S	\$760
					Panamera 4S	\$760
					Panamera Turbo	\$0
Special Paint						
3P	Crystal Green Metallic				Panamera S	\$3,140
					Panamera 4S	\$3,140
					Panamera Turbo	\$3,140
D2	Aqua Blue Metallic				Panamera S	\$3,140
					Panamera 4S	\$3,140
					Panamera Turbo	\$3,140
N6	Amethyst Metallic				Panamera S	\$3,140
					Panamera 4S	\$3,140
					Panamera Turbo	\$3,140
U2	GT Silver Metallic				Panamera S	\$3,140
					Panamera 4S	\$3,140
					Panamera Turbo	\$3,140
W6	Cognac Metallic				Panamera S	\$3,140
					Panamera 4S	\$3,140
					Panamera Turbo	\$3,140
Standard Leather						
AB	Black				Panamera S	\$0
					Panamera 4S	\$0
CB	Platinum Grey				Panamera S	\$0
					Panamera 4S	\$0
UB	Luxor Beige				Panamera S	\$0
					Panamera 4S	\$0
Full Leather						
AC	Black Full Leather				Panamera S	\$3,655
					Panamera 4S	\$3,655
					Panamera Turbo	\$0

Changed with the DEMO VERSION of CAD-KAS PDF-Editor (<http://www.cadkas.com>).

Changed with the DEMO VERSION of CAD-KAS PDF-Editor (<http://www.cadkas.com>).

Changed with the DEMO VERSION of CAD-KAS PDF-Editor (<http://www.cadkas.com>).

Option	Description	Must Pick	Required	Conflict	Model	Price (USD)
CC	Platinum Grey Full Leather				Panamera S	\$3,655
					Panamera 4S	\$3,655
					Panamera Turbo	\$0
EC	Yachting Blue Full Leather				Panamera S	\$3,655
					Panamera 4S	\$3,655
					Panamera Turbo	\$0
UC	Luxor Beige Full Leather				Panamera S	\$3,655
					Panamera 4S	\$3,655
					Panamera Turbo	\$0
Special Leather						
BB	Two-Tone Black / Platinum Grey		970		Panamera S	\$4,085
					Panamera 4S	\$4,085
					Panamera Turbo	\$430
BC	Two-Tone Luxor Beige/Cream		970		Panamera S	\$4,085
					Panamera 4S	\$4,085
					Panamera Turbo	\$430
BD	Two-Tone Leather Yachting Blue/cream		970		Panamera S	\$4,085
					Panamera 4S	\$4,085
					Panamera Turbo	\$430
BN	Two-Tone Cognac/Cedar Natural Leather		970 998		Panamera S	\$5,595
					Panamera 4S	\$5,595
					Panamera Turbo	\$1,940
NA	Espresso Natural Leather Gently dyed to retain natural characteristics.		998		Panamera S	\$5,165
					Panamera 4S	\$5,165
					Panamera Turbo	\$1,510
NC	Cognac Natural Leather Gently dyed to retain natural characteristics.		998		Panamera S	\$5,165
					Panamera 4S	\$5,165
					Panamera Turbo	\$1,510
970	Leather Interior Package in Two-Tone Leather This option is required with two-tone interiors.			BB BC BD BN	Panamera S	\$0
					Panamera 4S	\$0
					Panamera Turbo	\$0
998	Natural Leather Interior This option code is required for orders with Natural Leather interiors.			NA NC BN	Panamera S	\$0
					Panamera 4S	\$0
					Panamera Turbo	\$0

changed with the DEMO VERSION of CAD-KAS PDF-Editor (http://www.cadkas.com).

Changed with the DEMO VERSION of CAD-KAS PDF-Editor (http://www.cadkas.com).

Changed with the DEMO VERSION of CAD-KAS PDF-Editor (http://www.cadkas.com).

Option	Description	Must Pick	Required	Conflict	Model	Price (USD)
Floormats						
810	Floor Mats Color matched for single-colored interior, and in darker interior color for two-tone interiors. Includes Porsche logotype.				Panamera S Panamera 4S Panamera Turbo	\$150 \$150 \$150
Seats						
343	Heated Seats (Front and Rear) Separate controls for front and rear, left and right. Three-stage.				Panamera S Panamera 4S	\$510 \$510
541	Seat Ventilation (Front) Ventilated seat cushions and backrests in front seats. Separate controls for left and right. Three-stage.			P81 542 835 947 982	Panamera S Panamera 4S Panamera Turbo	\$800 \$800 \$800
542	Seat Ventilation (Front and Rear) Ventilated seat cushions and backrests in front and rear seats. Separate controls for front and rear, left and right. Three-stage.		343	P81 541 835 947 982	Panamera S Panamera 4S Panamera Turbo	\$1,600 \$1,600 \$1,600
834	8-way Power Seats (Rear) Rear seats with separate left/right adjustment, power 4-way lumbar support, backrest adjustment, and seat cushion length adjustment. Adjustment of passenger seat from rear seats. Split folding seatbacks (40% / 20% / 40%). In combination with front / rear seat ventilation, the rear head restraints feature widerside cushions for additional comfort. Note: In combination with the rear comfort head restraints, not all child seats may be used (particularly with head restraints extended). In combination with front / rear seat ventilation, price is \$2125.			P80 576 862 P81 835 836	Panamera S Panamera 4S Panamera Turbo	\$1,835 \$1,835 \$1,835
835	8-way Power Seats (Rear, in Combination with Adaptive Sports Seats) Rear seats with separate left/right adjustment, 4-way power lumbar support, backrest adjustment, and seat cushion length adjustment. Adjustment of passenger seat from rear seats. Split folding seatbacks (40% / 20% / 40%). The 8-way power seat will feature the style of the Adaptive Sports seats.			862 576 P81 541 542 834 836 947 982	Panamera S Panamera 4S Panamera Turbo	\$1,835 \$1,835 \$1,835

changed with the DEMO VERSION of CAD-KAS PDF-Editor (http://www.cadkas.com).

Changed with the DEMO VERSION of CAD-KAS PDF-Editor (http://www.cadkas.com).

Changed with the DEMO VERSION of CAD-KAS PDF-Editor (http://www.cadkas.com).

Option	Description	Must Pick	Required	Conflict	Model	Price (USD)	
836	8-way Power Seats (Rear, in Combination with Large Center Console) Rear seats with separate left/right adjustment, power 4-way lumbar support, backrest adjustment, and seat cushion length adjustment. Adjustment of passenger seat from rear seats. In combination with large center console. Split folding seatbacks (40% / 40%). In combination with front / rear seat ventilation, the rear head restraints feature wider side cushions for additional comfort. Note: In combination with the rear comfort head restraints, not all child seats may be used (particularly with head restraints high adjustable). Note: In combination with Seat Ventilation Front and Rear (option 42) price is \$2125.		862 576 838	P81 213 834 835	Panamera S Panamera 4S Panamera Turbo	\$1,835 \$1,835 \$1,835	
		947	Soft Ruffled Leather on Seat Centers Front and rear seat centers in ruffled leather.	AB CB UB	P81 541 542	Panamera S Panamera 4S	\$470 \$470
				982	Soft Ruffled Leather on Seat Centers with Full Leather Interiors Front and rear seat centers in soft ruffled leather in combination with full leather interiors.	AB CB UB P81	P81 541 542
P80	14-way Power Seats with Memory Package 14-way power seats. Individual electric adjustment and memory functions for seat height, seat and backrest angle, fore/aft position, seat cushion length as well as electric 4-way lumbar support. Includes outside rear view mirrors on driver and passenger side and electric steering column adjustment. Expanded memory functions include lights, wipers, A/C, door locks, instrument cluster, and PCM settings controlled via the key or accessible via additional memory buttons in the door. LED courtesy lights on door mirrors.		P81 835			Panamera S Panamera 4S	\$1,705 \$1,705
		P81	18-way Adaptive Sport Seats with Memory Package Adaptive sport seats with modified stitch pattern of seat centers and higher side bolsters. Individual electric adjustment and memory functions similar to 14-way power seats with memory package (front). Additionally: Electric adjustment of seat cushion and backrest side bolsters (front) and LED courtesy lights on door mirrors. The rear seats are also designed as sport seats				P80 541 542 834 947 982
Audio & Communications							
619	Bluetooth® Phone Interface Bluetooth® Interface for hands free mobile phone use. Operation of basic phone functions on PCM or multi-function steering wheel. This is the recommended Bluetooth® option if the customer has a Bluetooth® phone with Hands-Free Profile (HFP).					669	Panamera S Panamera 4S Panamera Turbo

changed with the DEMO VERSION of CAD-KAS PDF-Editor (http://www.cadkas.com).

Changed with the DEMO VERSION of CAD-KAS PDF-Editor (http://www.cadkas.com).

Changed with the DEMO VERSION of CAD-KAS PDF-Editor (http://www.cadkas.com).

Option	Description	Must Pick	Required	Conflict	Model	Price (USD)
626	Additional Handset Charging Cradle in the Large Rear Center Console		669 838	619	Panamera S	\$890
					Panamera 4S	\$890
					Panamera Turbo	\$890
636	ParkAssist (Front and Rear) Parking aid with bumper-mounted ultrasonic sensors in front and rear bumpers. Audio warning signal and graphic display of distance in central display.				Panamera S	\$600
					Panamera 4S	\$600
638	ParkAssist (Front and Rear) Including Rearview Camera Parking aid with bumper-mounted ultrasonic sensors in front and rear bumpers. Audio warning signal and graphic display of distance in central display. Includes color rearview picture with dynamic guidelines displayed in the Porsche Communication Management (PCM) system.			636	Panamera S	\$1,255
					Panamera 4S	\$1,255
					Panamera Turbo	\$655
640	Sport Chrono Package Plus Consists of analog and digital stopwatch, 'Sport Plus' button for even sportier settings for engine and suspension, as well as a performance display in the PCM. Also includes launch control when in combination with PDK.				Panamera S	\$1,320
					Panamera 4S	\$1,320
					Panamera Turbo	\$2,280
641	Electronic Logbook Enables automatic recording of mileage, route distance, date and time, starting location, and destination on every trip. Includes data management and analysis software for PC.				Panamera S	\$650
					Panamera 4S	\$650
					Panamera Turbo	\$650
669	Telephone Module with Cordless Handset The quad-band built-in GSM Telephone Module provides better reception and exceptional sound quality using the external vehicle antenna if the user has a cell phone with Bluetooth® SIM Access Profile (SAP) or Hands-Free Profile (HFP).NOTE: Option 619, Bluetooth® Phone Interface, is the recommended Bluetooth® option for North America. For phones with an HFP profile, an internal phone is not required as calls are made via the customer phone, thus making 619 optimal.			619	Panamera S	\$1,625
					Panamera 4S	\$1,625
					Panamera Turbo	\$1,625
671	Voice Control for PCM For control of virtually all PCM functions by defined voice commands, with word-by-word input of navigation destinations, phone book entries, and radio station names without the need to train the system. Simplified control by means of dialog-supported input and visualization of menu specific selection lists. Available for Customer specified orders only.				Panamera S	\$595
					Panamera 4S	\$595
					Panamera Turbo	\$595

changed with the DEMO VERSION of CAD-KAS PDF-Editor (http://www.cadkas.com)

Changed with the DEMO VERSION of CAD-KAS PDF-Editor (http://www.cadkas.com)

Changed with the DEMO VERSION of CAD-KAS PDF-Editor (http://www.cadkas.com)

Option	Description	Must Pick	Required	Conflict	Model	Price (USD)
680	BOSE® Surround Sound-System BOSE® Surround-Sound system with 14 loudspeakers including 300-Watt active subwoofer, 9-channel amplifier, and a total power output of 585 Watts. BOSE® technologies Centerpoint® 2 and SurroundStage® allow for playing stereo sources in surround mode. The AudioPilot® Noise Compensation technology ensures a consistent and balanced sound volume in driving situations.			682	Panamera S	\$1,440
					Panamera 4S	\$1,440
682	Burmester® High-End Surround Sound-System Burmester® High-End Surround-Sound System with 16 individual activated loudspeakers including 300 Watt active subwoofer and a total power output of more than 1000 Watts. The 16-channel amplifier technology includes 10" active subwoofer with Class-D digital amplifier. Air-Motion-Transfer (AMT) technology makes a natural, rich spatial sound with a consistent volume level possible.			680	Panamera S	\$5,690
					Panamera 4S	\$5,690
					Panamera Turbo	\$3,990
686	XM Satellite Radio® Offering a wide variety of entertainment with music, sports, talk, comedy, and news, XM Satellite Radio® is available as an option on all models. Also available is XM NavTraffic®, a satellite delivered traffic information service that allows users to easily access critical information such as traffic congestion, accidents, and average speed of traffic. New and available for the first time on a Porsche is XM NavWeather®, which displays graphical weather forecasts and current conditions, and informs the user of any impending weather threats. Also includes XM Stocks and XM Sports. Complimentary 3-month service included - after 3 months, subscription is required. Note: XM service is not available in Alaska or Hawaii.				Panamera S	\$750
					Panamera 4S	\$750
					Panamera Turbo	\$750
693	6 disc CD/DVD changer 6 disc CD/DVD changer with 6-second shock compensation memory integrated into PCM. MP3 compatible.				Panamera S	\$650
					Panamera 4S	\$650
					Panamera Turbo	\$650
870	Universal Audio Interface Includes connections for three audio source types - iPod, USB for memory stick with MP3 files, and auxiliary interface for other source. iPod and USB interfaces include operation via PCM and the multifunction steering wheel. Also enables the ability to download data from the Electronic Logbook feature and the Sport Chrono Package.				Panamera S	\$440
					Panamera 4S	\$440
					Panamera Turbo	\$440
CEM	Porsche Rear Seat Entertainment			XEP	Panamera 4S	\$2,990
					Panamera Turbo	\$2,990

changed with the DEMO VERSION of CAD-KAS PDF-Editor (http://www.cadkas.com).

Changed with the DEMO VERSION of CAD-KAS PDF-Editor (http://www.cadkas.com).

Changed with the DEMO VERSION of CAD-KAS PDF-Editor (http://www.cadkas.com).

Option	Description	Must Pick	Required	Conflict	Model	Price (USD)
Technical						
350	Adaptive Air Suspension Fully load-bearing air-spring struts with integral dampers in front and separate dampers and air springs in the rear. "Sport Plus" mode lowers vehicle 0.98 inches and stiffens spring characteristics. Manual lift function raises chassis 0.78 inches up to a speed of 18 mph for driving over high curbs and steep ramps.			351 712	Panamera S Panamera 4S	\$1,990 \$1,990
351	Adaptive Air Suspension in Conjunction with PDCC Fully load-bearing air-spring struts with integral dampers in front and separate dampers and air springs in the rear. "Sport Plus" mode lowers vehicle 0.98 inches and stiffens spring characteristics. Manual lift function raises chassis 0.78 inches up to a speed of 18 mph for driving over high curbs and steep ramps.		712	350	Panamera S Panamera 4S Panamera Turbo	\$1,990 \$1,990 \$0
425	Rear Wiper With intermittent wipe. May be activated independently of windshield wiper. Automatically activates when in reverse gear when windshield wiper is activated.				Panamera S Panamera 4S Panamera Turbo	\$360 \$360 \$360
450	Porsche Ceramic Composite Brake (PCCB) Porsche Ceramic Composite Brake (PCCB) system. Carbon-fiber reinforced ceramic brake discs, internally ventilated and perforated, with yellow painted brake calipers.	415 416 417	417		Panamera S Panamera 4S Panamera Turbo	\$8,150 \$8,150 \$8,840
456	Adaptive Cruise Control In addition to the standard cruise control function, the system controls the speed and distance to vehicles ahead in a speed range between 0 mph and 100 mph.				Panamera S Panamera 4S Panamera Turbo	\$2,490 \$2,490 \$2,490
509	Fire Extinguisher Compact extinguisher containing 2.2 lbs of extinguishing agent. Installs beneath front of driver's seat.				Panamera S Panamera 4S Panamera Turbo	\$140 \$140 \$140
549	Roof Transport System Set of 2 lockable aluminum roof bars mounted in the recessed roof rails. Compatible with all Porsche Tequipment load-carrying attachments.				Panamera S Panamera 4S Panamera Turbo	\$400 \$400 \$400
625	Porsche Entry & Drive Transmitter in key-fob with integrated ID allows locking and unlocking by proximity. The engine can be switched on and off using an electronic ignition key by proximity, without having to insert the key in the ignition.				Panamera S Panamera 4S	\$1,090 \$1,090

changed with the DEMO VERSION of CAD-KAS PDF-Editor (http://www.cadkas.com).

Changed with the DEMO VERSION of CAD-KAS PDF-Editor (http://www.cadkas.com).

Changed with the DEMO VERSION of CAD-KAS PDF-Editor (http://www.cadkas.com).

Option	Description	Must Pick	Required	Conflict	Model	Price (USD)
658	Variable Assist Power Steering Servotronic speed sensitive power steering.				Panamera S	\$270
					Panamera 4S	\$270
					Panamera Turbo	\$270
712	Porsche Dynamic Chassis Control (PDCC) inc. Rear Differential Lock Active anti-roll system offering reduced body movement when cornering and thus increased agility and performance. Also provides more comfort on uneven surfaces. Includes active anti-roll bars on front and electronically controlled rear axle differential lock for enhanced performance.		351	350	Panamera S	\$4,460
					Panamera 4S	\$4,460
					Panamera Turbo	\$4,460
Wheels						
415	19" Panamera Turbo Wheel Set of alloy wheels in lightweight 5-dual spoke design. Front axle: 9J x 19 offset 60 with 255/45 ZR 19 tires. Rear axle: 10 J x 19 offset 60 with 285/40 ZR 19 tires.			416 417	Panamera S	\$1,560
					Panamera 4S	\$1,560
416	19" Panamera Design wheels Set of alloy wheels in V-shaped framed 5-spoke design. Front axle: 9J x 19 offset 60 with 255/45 ZR 19 tires. Rear axle: 10J x 19 offset 60 with 285/40 ZR 19 tires.			415 417	Panamera S	\$1,950
					Panamera 4S	\$1,950
					Panamera Turbo	\$390
417	20" RS Spyder Design wheel Set of alloy wheels in racing look with polished rim flange. Front axle: 9.5J x 20 offset 65 with 255/40 ZR 20 tires. Rear axle: 11J x 20 offset 65 with 295/35 ZR 20 tires.			415 416	Panamera S	\$3,120
					Panamera 4S	\$3,120
					Panamera Turbo	\$1,560
446	Wheel Caps with Colored Crest Wheel Caps with full-color Porsche Crest.				Panamera S	\$185
					Panamera 4S	\$185
					Panamera Turbo	\$185
Interior Options						
213	Ski Bag Trunk hatch with separately folding center section and removable ski bag. Split folding backrests (40% / 20% / 40%).			836 838	Panamera S	\$405
					Panamera 4S	\$405
					Panamera Turbo	\$405
345	Heated Steering Wheel Wheel automatically heated when vehicle cabin temperature drops below 53 degrees F.			XZZ 842 845	Panamera S	\$210
				848 849	Panamera 4S	\$210
					Panamera Turbo	\$210
576	4-zone Automatic Air Conditioning System Separate electronic control from all seats.				Panamera S	\$1,020
					Panamera 4S	\$1,020
					Panamera Turbo	\$1,020

changed with the DEMO VERSION of CAD-KAS PDF-Editor (http://www.cadkas.com).

Changed with the DEMO VERSION of CAD-KAS PDF-Editor (http://www.cadkas.com).

Changed with the DEMO VERSION of CAD-KAS PDF-Editor (http://www.cadkas.com).

Option	Description	Must Pick	Required	Conflict	Model	Price (USD)
630	Rear Interior Lighting Package Includes a rear overhead console with 2 additional reading lights, rear footwell illumination, rear door storage compartments and center console compartment with LED lighting, and front and rear interior LED lighting. Additional dimmable ambient lighting in the front and rear overhead consoles.				Panamera S	\$595
					Panamera 4S	\$595
					Panamera Turbo	\$595
838	Large Rear Center Console Includes a higher center console for additional storage, an armrest and 2 additional 12 V power sockets. Note: Available beginning approximately 11/2009.		862 576 836	213 834 835	Panamera S	\$2,300
					Panamera 4S	\$2,300
					Panamera Turbo	\$2,300
861	Power Sunscreen for Rear Side Windows Electrically operated sunscreen on rear doors to provide protection against direct sunlight.				Panamera S	\$450
					Panamera 4S	\$450
					Panamera Turbo	\$450
862	Power Sunscreen Behind Rear Seats Electrically operated sunscreen behind rear seats to provide protection against direct sunlight from rear window. Auto-lowering function in reverse gear.				Panamera S	\$340
					Panamera 4S	\$340
					Panamera Turbo	\$340
868	Retractable Luggage Compartment Cover				Panamera S	\$150
					Panamera 4S	\$150
					Panamera Turbo	\$150
CZK	Refrigerator in Rear Refrigerating compressor compartment with a volume of 10.5 liters integrated between the rear seats. Includes two drinking glasses with engraved Porsche Crest and logo. Note: through the installation of the refrigerating compartment the volume of the luggage compartment is limited. Note: Available from approximately 11/2009.		838 836 XET	CZU	Panamera S	\$2,570
					Panamera 4S	\$2,570
					Panamera Turbo	\$2,570
Interior Cosmetic						
594	Alcantara Roofliner Roofliner, A-pillar trim, B-pillar cover (upper section) and sun visors in Alcantara.				Panamera S	\$1,990
					Panamera 4S	\$1,990
597	Door Entry Guards in Stainless Steel				Panamera S	\$595
					Panamera 4S	\$595
					Panamera Turbo	\$595
XFG	Instrument Dials Guards Red			XFJ XFL	Panamera S	\$860
					Panamera 4S	\$860
					Panamera Turbo	\$860

changed with the DEMO VERSION of CAD-KAS PDF-Editor (http://www.cadkas.com).

Changed with the DEMO VERSION of CAD-KAS PDF-Editor (http://www.cadkas.com).

Changed with the DEMO VERSION of CAD-KAS PDF-Editor (http://www.cadkas.com).

Option	Description	Must Pick	Required	Conflict	Model	Price (USD)
XFJ	Instrument Dials Carrara White			XFG XFL	Panamera S	\$860
					Panamera 4S	\$860
					Panamera Turbo	\$860
XFL	Instrument Dials Luxor Beige			XFG XFJ	Panamera S	\$860
					Panamera 4S	\$860
					Panamera Turbo	\$860
XSH	Seat belts in Silver-Grey			XSX	Panamera S	\$540
					Panamera 4S	\$540
					Panamera Turbo	\$540
XSX	Seat belts in Guards Red			XSH	Panamera S	\$540
					Panamera 4S	\$540
					Panamera Turbo	\$540
Interior Options in Leather						
XYV	Porsche Crest Embossed on Headrests (Front)			XYW	Panamera S	\$285
					Panamera 4S	\$285
					Panamera Turbo	\$285
XYW	Porsche Crest Embossed on Headrests (Front and Rear)			XYV	Panamera S	\$570
					Panamera 4S	\$570
					Panamera Turbo	\$570
Custom Tailoring and Deviations - Leather						
CDY	Steering Column in Leather Steering column casing[1.8] in smooth leather finish in interior color.				Panamera S	\$855
					Panamera 4S	\$855
					Panamera Turbo	\$855
CPU	Key Pouch in Leather In smooth leather in interior color with embossed Porsche crest and decorative seam.				Panamera S	\$95
					Panamera 4S	\$95
					Panamera Turbo	\$95
CVW	Rear View Mirror in Leather Rear View mirror[1.3] in smooth leather finish in interior color with decorative stitching.				Panamera S	\$95
					Panamera 4S	\$95
					Panamera Turbo	\$95
CZL	Seat Console Trim in Leather Front of seat console[5.4a] and seat controls including trim front[5.4b] in smooth leather finish in interior color with decorative stitching.			CZP	Panamera S	\$2,570
					Panamera 4S	\$2,570
					Panamera Turbo	\$2,570

changed with the DEMO VERSION of CAD-KAS PDF-Editor (http://www.cadkas.com).

Changed with the DEMO VERSION of CAD-KAS PDF-Editor (http://www.cadkas.com).

Changed with the DEMO VERSION of CAD-KAS PDF-Editor (http://www.cadkas.com).

Option	Description	Must Pick	Required	Conflict	Model	Price (USD)	
CZP	Seat Console Trim in Leather with Rear Power Seats Front of seat console[5.4a] and seat controls including trim front and rear[5.4b, 5.10] in smooth leather finish in interior color with decorative stitching.	834 835 836			CZL	Panamera S	\$3,435
						Panamera 4S	\$3,435
						Panamera Turbo	\$3,435
CZV	Air Vent Slats in Leather Front and rear side air vent slats[1.5b, 2.4b] and front and rear center air vent slats[2.4e, 4.11b] in smooth-finish leather in interior color. Note: available beginning approximately 10/2009.				CDN	Panamera S	\$1,545
						Panamera 4S	\$1,545
						Panamera Turbo	\$1,545
CZW	Leather Dashboard Trim Interior Package Side defroster vents[2.4c], center air vents on upper part of dashboard[2.11], and defroster trim[2.10] in smooth-finish leather in interior color with decorative stitching. Note: available beginning approximately 10/2009.					Panamera S	\$1,535
						Panamera 4S	\$1,535
						Panamera Turbo	\$1,535
Interior Options in Aluminum Look							
818	Brushed Aluminum Interior Package Dashboard trim strip, front and rear door trim strips, lower center console, trim panel, front ashtray cover, rear cupholder cover, and lid of rear center console storage compartment in Brushed Aluminum finish.				XZY 819 821	Panamera S	\$995
					822 823 824	Panamera 4S	\$995
						Panamera Turbo	\$0
XXC	Door Sill Guards in Aluminum, Illuminated Front and rear door sill guards[3.12a, 3.12b] in aluminum with white illuminated Panamera S/4S/Turbo logo. Note: requires preparation for illuminated door sill guards (order no. XES), at no extra cost. Note: available beginning approximately 09/2009.		YES	XXD X69		Panamera S	\$1,100
						Panamera 4S	\$1,100
						Panamera Turbo	\$1,100
XYA	PDK Gear Selector in Aluminum PDK gear selector[4.1a] specially designed in aluminum. PDK gear selector inlays in smooth-finish leather in interior color.					Panamera S	\$740
						Panamera 4S	\$740
						Panamera Turbo	\$740
Interior Options in Carbon							
819	Carbon Fiber Interior Package Dashboard trim strip, front and rear door trim strips, lower center console, trim panel, front ashtray cover, rear cupholder cover, and lid of rear center console storage compartment in Carbon fiber finish.				XZY 818 821	Panamera S	\$1,990
					822 823 824	Panamera 4S	\$1,990
						Panamera Turbo	\$995
845	Heated Three-spoke Multifunction Steering Wheel in Carbon Fiber Steering wheel rim trimmed with carbon fiber and with smooth-finish leather in interior color. Includes control of audio, communication, and trip computer functions.				XZZ 345 842	Panamera S	\$500
					848 849	Panamera 4S	\$500
						Panamera Turbo	\$500

changed with the DEMO VERSION of CAD-KAS PDF-Editor (http://www.cadkas.com).

Changed with the DEMO VERSION of CAD-KAS PDF-Editor (http://www.cadkas.com).

Changed with the DEMO VERSION of CAD-KAS PDF-Editor (http://www.cadkas.com).

Option	Description	Must Pick	Required	Conflict	Model	Price (USD)
X69	Door Entry Guards in Carbon Fiber Front and rear door entry guards in carbon fiber with Panamera S/4S/Turbo logo. Note: available beginning approximately 09/2009.			XXC XXD	Panamera S	\$750
					Panamera 4S	\$750
					Panamera Turbo	\$750
XXD	Door Sill Guards in Carbon Fiber, Illuminated Door entry guards front[3.12a] and rear[3.12b] in carbon fiber with white illuminated Panamera S/4S/Turbo logo. Note: requires preparation for illuminated door entry guards (order no. XES, at no extra cost). Note: available beginning approximately 09/2009.		XES	XXC X69	Panamera S	\$1,750
					Panamera 4S	\$1,750
					Panamera Turbo	\$1,750
Interior Options in Light Wood						
822	Tineo Interior Package Dashboard trim strip, front and rear door trim strips, lower center console, trim panel, front ashtray cover, rear cupholder cover, and lid of rear center console storage compartment in Tineo finish.			XZY 818 819	Panamera S	\$995
				821 823 824	Panamera 4S	\$995
					Panamera Turbo	\$0
824	Natural Olive Interior Package Dashboard trim strip, front and rear door trim strips, lower center console, trim panel, front ashtray cover, rear cupholder cover, and lid of rear center console storage compartment in Natural Olive finish.			XZY 818 819	Panamera S	\$1,990
				821 822 823	Panamera 4S	\$1,990
					Panamera Turbo	\$995
849	Heated Three-Spoke Multifunction Steering Wheel in Tineo Steering wheel rim trimmed with Tineo and with smooth-finish leather in interior color. Includes control of audio, communication, and trip computer functions.			XZZ 345 842	Panamera S	\$500
				845 848	Panamera 4S	\$500
					Panamera Turbo	\$500
Interior Options in Dark Wood						
821	Walnut Interior Package Dashboard trim strip, front and rear door trim strips, lower center console, trim panel, front ashtray cover, rear cupholder cover, and lid of rear center console storage compartment in Walnut finish.			XZY 818 819	Panamera S	\$995
				822 823 824	Panamera 4S	\$995
823	Birch Anthracite Interior Package Dashboard trim strip, front and rear door trim strips, lower center console, trim panel, front ashtray cover, rear cupholder cover, and lid of rear center console storage compartment in Birch Anthracite finish.			XZY 818 819	Panamera S	\$995
				821 822 824	Panamera 4S	\$995
					Panamera Turbo	\$0
842	Heated Three-Spoke Multifunction Steering Wheel in Walnut Steering wheel rim trimmed with Walnut and with smooth-finish leather in interior color. Includes control of audio, communication, and trip computer functions.			XZZ 345 845	Panamera S	\$500
				848 849	Panamera 4S	\$500
					Panamera Turbo	\$500

changed with the DEMO VERSION of CAD-KAS PDF-Editor (http://www.cadkas.com).

Changed with the DEMO VERSION of CAD-KAS PDF-Editor (http://www.cadkas.com).

Changed with the DEMO VERSION of CAD-KAS PDF-Editor (http://www.cadkas.com).

Option	Description	Must Pick	Required	Conflict	Model	Price (USD)
848	Heated Three-Spoke Multifunction Steering Wheel in Birch Anthracite Steering wheel rim trimmed with Birch Anthracite and with smooth finish leather in interior color. Includes control of audio, communication, and trip computer functions.			XZZ 345 842	Panamera S	\$500
				845 849	Panamera 4S	\$500
					Panamera Turbo	\$500
XZY	Mahogany Yachting Interior Package Dashboard trim strip, door trim strips (front and rear), lower section of center console, trim panel, front ashtray cover, rear cupholder cover, and rear center console storage compartment lid in dark Mahogany with light maple inlays.			818 819 821	Panamera S	\$3,100
				822 823 824	Panamera 4S	\$3,100
					Panamera Turbo	\$2,105
XZZ	Heated Three-spoke Multifunction Steering Wheel-Mahogany Yachting Steering wheel rim trimmed with dark Mahogany finish and with smooth-finish leather in interior color. Includes control of audio, communication, and trip computer functions.			345 842 845	Panamera S	\$1,050
				848 849	Panamera 4S	\$1,050
					Panamera Turbo	\$1,050
Interior Options in Exterior Color						
CZY	Interior Package Painted in Exterior Color Dashboard decorative trim[2.9], front/rear door decorative trim[3.0, 3.1], lower section of center console, basic element[4.6], decorative plate[4.7], front ashtray cover[4.5], rear cupholder cover[4.10] and rear center console storage compartment lid[4.13] in paint finish in exterior color. Note: available beginning approximately 10/2009.			XZY 818 819	Panamera S	\$2,365
				821 822 823	Panamera 4S	\$2,365
				824	Panamera Turbo	\$2,365
Custom Tailoring and Deviations - Exterior Color						
CDN	Air Vent Slats Painted Front and rear side air vent slats[1.5b, 2.4b] and front and rear center air vent slats[2.4e, 4.11b] in paint finish in exterior color . Note: available beginning approximately 10/2009.				Panamera S	\$1,355
					Panamera 4S	\$1,355
					Panamera Turbo	\$1,355
CGA	Headlight Washer Cover Painted in Exterior Color				Panamera S	\$295
					Panamera 4S	\$295
					Panamera Turbo	\$295
CNF	Front Air Intakes Painted in Exterior Color				Panamera S	\$1,120
					Panamera 4S	\$1,120
					Panamera Turbo	\$1,120
CNG	Rear Apron Painted Lower part of rear apron in exterior color.				Panamera S	\$640
					Panamera 4S	\$640
					Panamera Turbo	\$640

changed with the DEMO VERSION of CAD-KAS PDF-Editor (http://www.cadkas.com).

Changed with the DEMO VERSION of CAD-KAS PDF-Editor (http://www.cadkas.com).

Changed with the DEMO VERSION of CAD-KAS PDF-Editor (http://www.cadkas.com).

Option	Description	Must Pick	Required	Conflict	Model	Price (USD)
Custom Tailoring and Deviations - Other						
CGG	Sport Chrono Timer Display Painted in Guards Red		640	CGJ CZT	Panamera S	\$500
					Panamera 4S	\$500
					Panamera Turbo	\$500
CGJ	Sport Chrono Timer Display Painted in Carrara White		640	CGG CZT	Panamera S	\$500
					Panamera 4S	\$500
					Panamera Turbo	\$500
CZT	Sport Chrono Timer Display Painted in Luxor Beige		640	CGG CGJ	Panamera S	\$500
					Panamera 4S	\$500
					Panamera Turbo	\$500
SW5	Indicator for Custom Tailoring Options				Panamera S	\$0
					Panamera 4S	\$0
					Panamera Turbo	\$0
Exterior Options						
176	Sport Exhaust System Features modified main silencers and specially designed sports tailpipes. The sport sound is activated via an additional switch in the center console.				Panamera S	\$2,950
					Panamera 4S	\$2,950
					Panamera Turbo	\$2,950
865	Thermally and Noise Insulated Glass Thermally and noise insulated laminated glass with increased reflection.				Panamera S	\$1,120
					Panamera 4S	\$1,120
					Panamera Turbo	\$1,120
Exterior Cosmetic						
498	Delete Model Designation Deletion of model designation on rear of vehicle. Note: Porsche logo is not deleted when choosing this option.				Panamera S	\$0
					Panamera 4S	\$0
					Panamera Turbo	\$0
CNL	Exterior Mirror Lower Trim Painted Exterior mirror lower trim in exterior color.				Panamera S	\$550
					Panamera 4S	\$550
					Panamera Turbo	\$550
CNR	Diffuser Painted Diffuser in rear apron in exterior color.				Panamera S	\$475
					Panamera 4S	\$475
					Panamera Turbo	\$475
CNZ	Air Outlet Grills Painted Air outlet grills in the wings behind front wheels in exterior color.				Panamera S	\$675
					Panamera 4S	\$675
					Panamera Turbo	\$675

changed with the DEMO VERSION of CAD-KAS PDF-Editor (http://www.cadkas.com).

Changed with the DEMO VERSION of CAD-KAS PDF-Editor (http://www.cadkas.com).

Changed with the DEMO VERSION of CAD-KAS PDF-Editor (http://www.cadkas.com).

Option	Description	Must Pick	Required	Conflict	Model	Price (USD)
--------	-------------	-----------	----------	----------	-------	-------------

Additional Options						
TD5	Tourist Delivery Tourist Delivery orders must have the Tourist Delivery Order Form sent to the PCNA European Delivery Department to have the option code placed on the order. For more information, please see the European Delivery page in PPN under Sales -> European Delivery. Countries covered by included German insurance: Albania, Andorra, Austria, Belarus, Belgium, Bosnia and Herzegovina, Croatia, Cyprus, Czech Republic, Denmark, Estonia, France, Finland, Germany, Greece, Hungary, Iceland, Ireland, Israel, Italy, Latvia, Lithuania, Luxembourg, Macedonia, Malta, Moldova, Morocco, Netherlands, Norway, Portugal, Poland, Romania, Serbia, Slovakia, Slovenia, Spain, Sweden, Switzerland, Tunisia, Turkey, Ukraine, United Kingdom.		S9Y		Panamera S Panamera 4S Panamera Turbo	\$2,250 \$2,250 \$4,075