

681719 Removing and installing centre console

Preliminary work

Preliminary work

Remove shelf. ⇒ '681619 Removing and installing oddments tray - chapter on "removing"

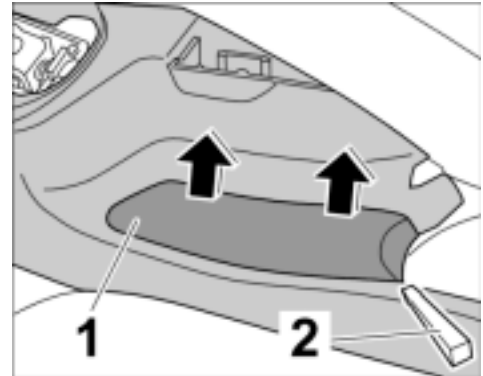
Removing centre console

Removing cover for parking-brake lever



Installation position for centre console

1. Pull parking-brake lever.



Removing cover for parking-brake lever

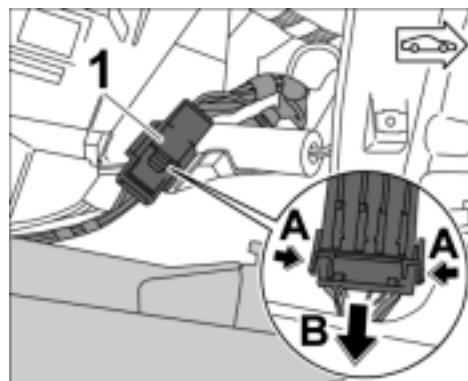
2. Unclip cover for parking-brake lever -1- using a plastic wedge -2-.

Disconnecting wire harness plug connection for centre console



Installation position for centre console

1. Release wire harness electric plug connection for centre console -1- on right and left -arrows A- and pull apart -arrow B-.



Disconnecting plug connection

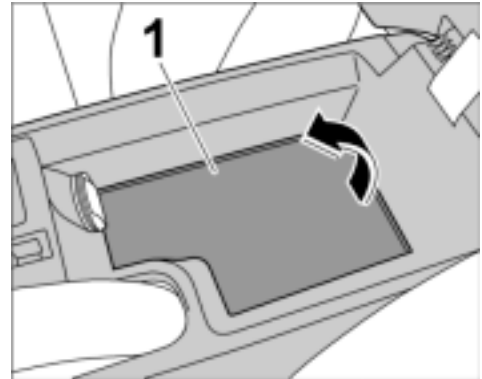
Removing centre console



Installation position for centre console

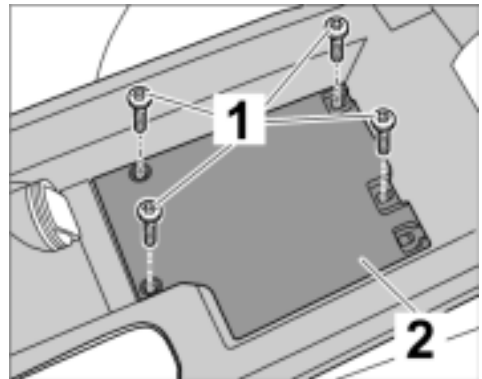
1. Open lid of oddments tray.

2. Remove insert at rear of centre console -1-.



Removing centre console insert

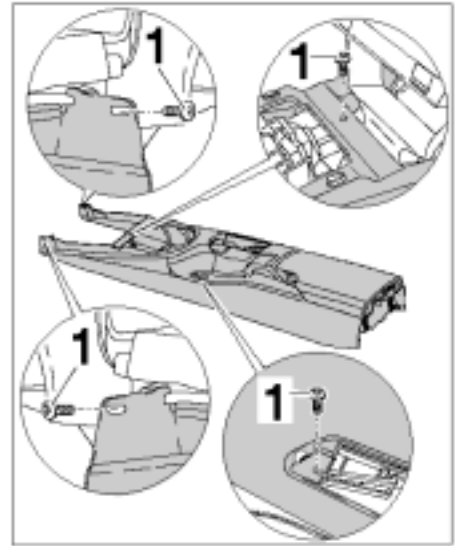
3. Unscrew fastening screws -1- and remove floor at rear of centre console -2-.



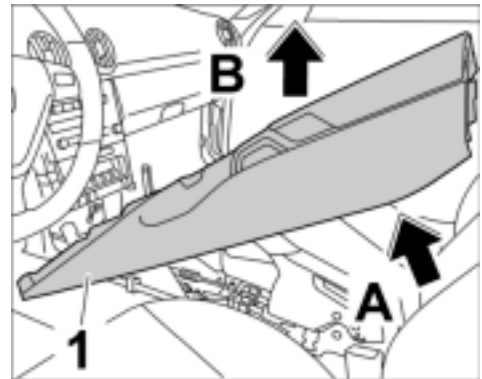
Removing floor at rear of centre console

4. Close lid of oddments tray.

5. Undo fastening screws -1-.



6. Swivel centre console -1- upward -arrow A- and remove -arrow B-.

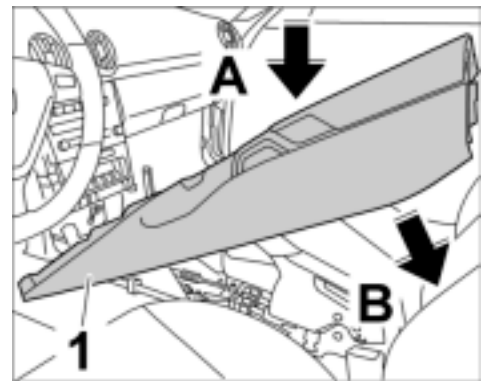


Installing centre console

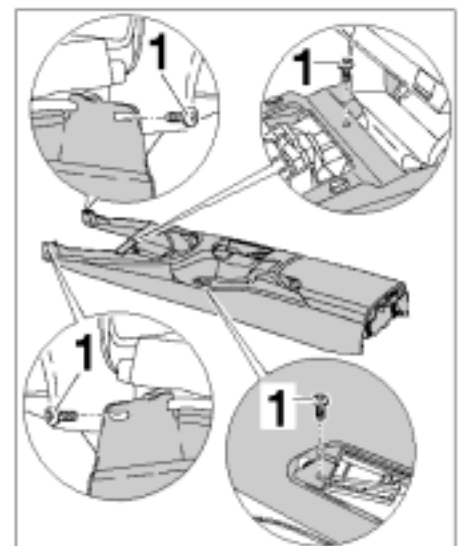
Installing centre console



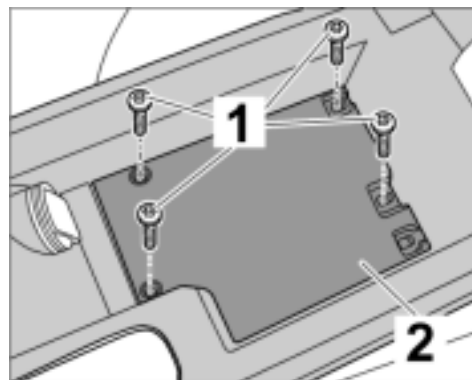
1. Position and align the centre console -1-



2. Tighten fastening screws -1-

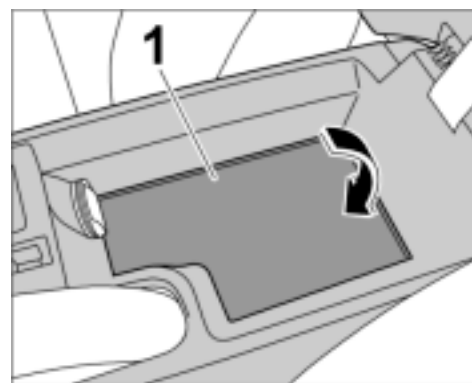


3. Open lid of oddments tray.
4. Insert floor at rear of centre console -2- and screw down with fastening screw -1-.



fl

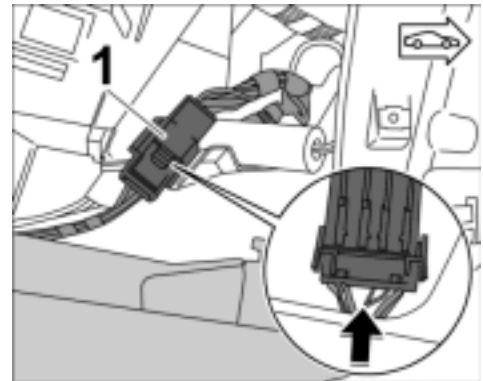
5. Position insert at rear of centre console -1- and close lid of oddments tray.



Locking wire harness plug connection for centre console



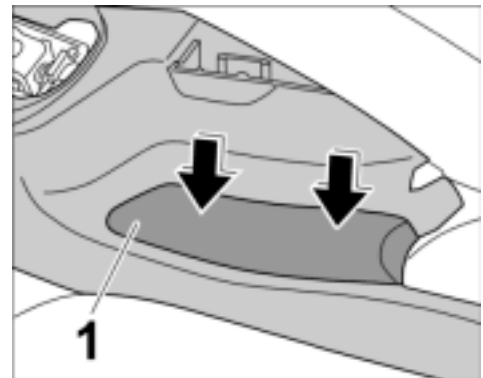
1. Push together electric plug connection of wire harness for centre console -1- until it audibly engages.



Installing cover for parking-brake lever



1. Press in cover of parking-brake lever -1- until it engages.



Subsequent work

Subsequent work

Install shelf. ⇒