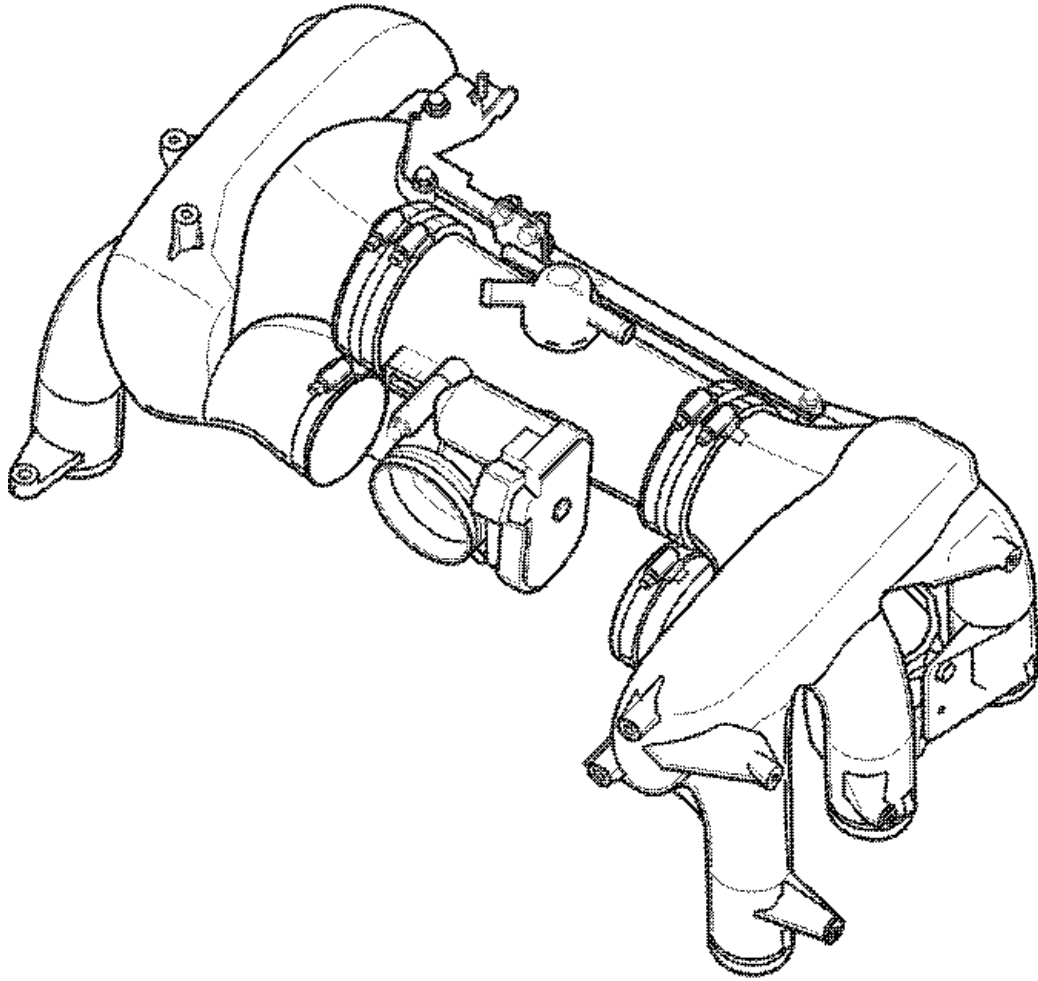
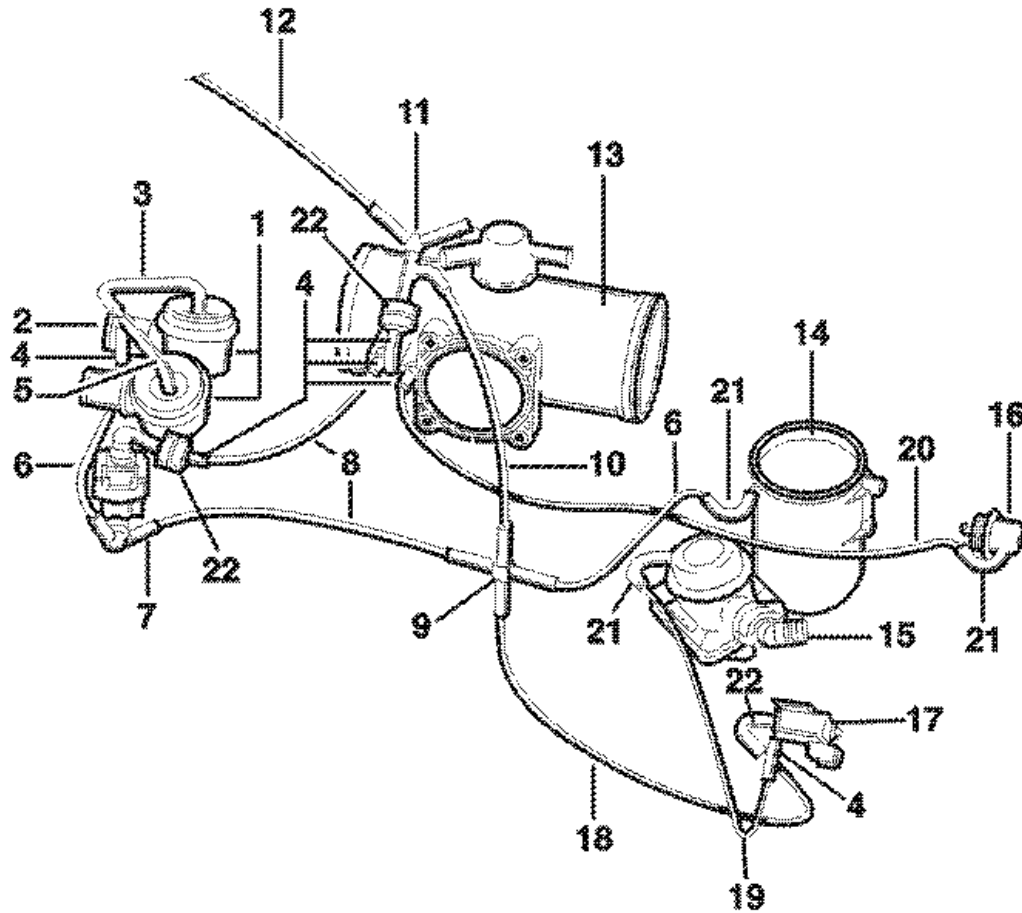


24 00 33 Completing the vacuum connections



einordnung



- 1 Recirculating air valves
- 2 T-piece
- 3 Recirculating air valve hose
- 4 Air hose
- 5 Recirculating air valve hose
- 6 Pipe 5 x 1 x 250
- 7 Curved hose
- 8 Pipe 5 x 1 x 245
- 9 Four-way branch piece
- 10 Pipe 5 x 1 x 250
- 11 Three-way branch piece
- 12 Pipe 4 x 1
- 13 Distributor pipe
- 14 Vacuum accumulator
- 15 Combination valve for secondary air

einordnung

- 16 Fuel pressure regulator
- 17 Electric switch-over valve for secondary air
- 18 Pipe 4 x 1 x 350
- 19 Pipe 4 x 1 x 500
- 20 Pipe 4 x 1 x 500
- 21 Curved protective hose
- 22 Check valve



Note

- When fitting the hosing, it is prohibited to use spray oil. Soap suds may be used to make fitting easier.

996420, 996421, 996450, 996451, 996620, 996621, 996650, 996651, 996840, 996841