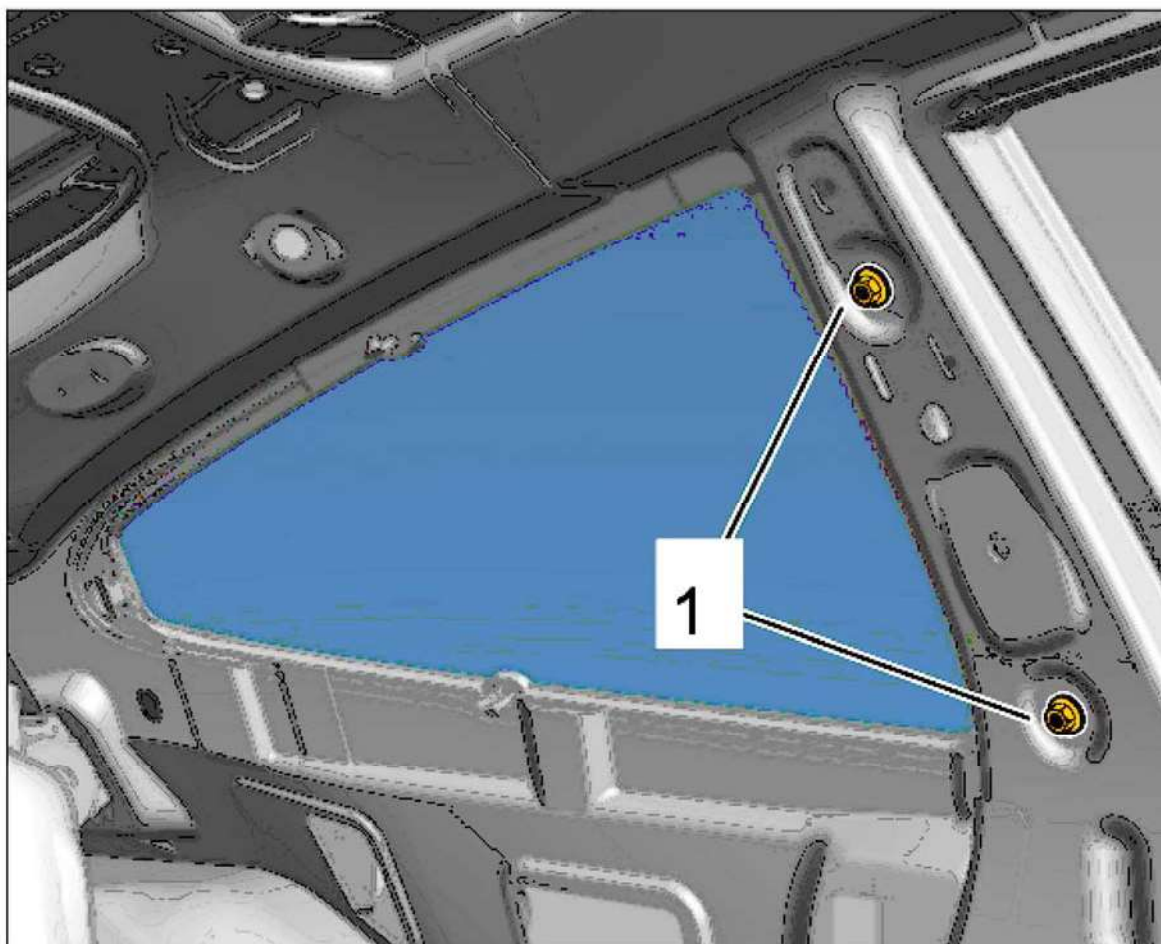


The present document was valid at the time of print. A later version may be available online

## WM 647519 Removing and installing rear side window

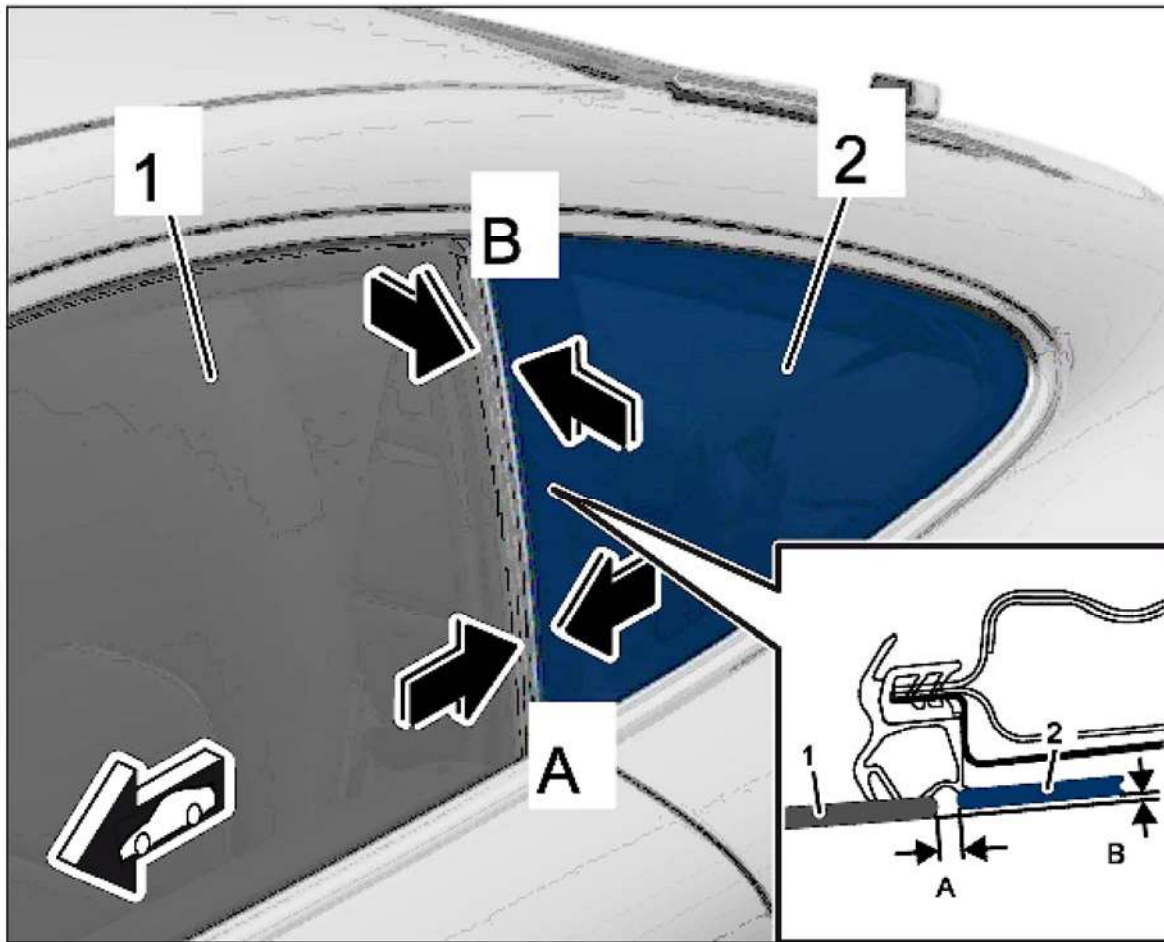
### Technical values

Location	Description	Type	Basic value	Tolerance 1	Tolerance 2
Fastening nut securing side window to B-pillar		Tightening torque	9,7 Nm (7.5 ftlb.)		



*Loosening fastening nuts*

Gap between door window and side window	A	Gap dimension	7 mm	+/-0.8 mm	
Offset for door window with respect to side window	B	Gap dimension	0,8 mm	+/-0 mm	-1 mm



*Gap/offset for door window/side window*

## Preliminary work

### Preliminary work

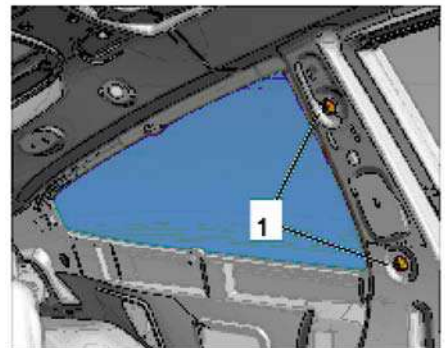
1. Remove roof protection strip → 663319 *Removing and installing roof moulding - section on "Removing"*
2. Detach B-pillar trim and lay it to one side. → 706719 *Removing and installing B-pillar trim panel - section on "Removing"*

## Removing rear side window

### Removing side window

*Installation position of side window*

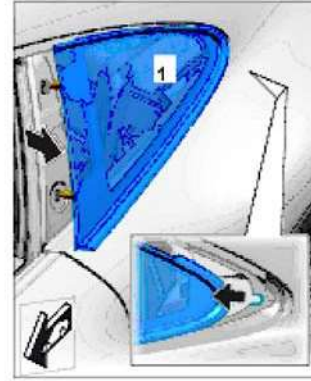
1. Unscrew fastening nuts **-1-** .



*Removing fastening nuts*

2. Pull out the side window **-1-** at the B-pillar until the guide pins are visible.

Pull the side window forward out of the guide in the side panel.



Removing side window

## Installing rear side window

### Installing side window



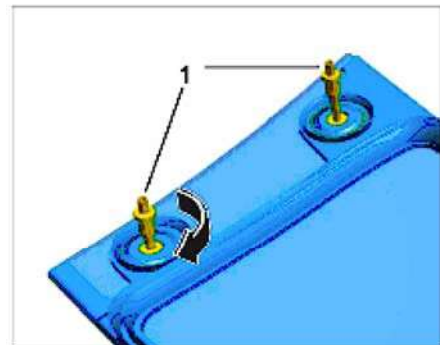
#### Information

- The removed side window can be reinstalled if there is no prior damage to the side window.

1. Installation is performed in reverse order to removal.
2. Fastening nut securing side window to B-pillar. [Tightening torque 9.7 Nm \(7.5 ftlb.\)](#)

### Adjusting rear side window

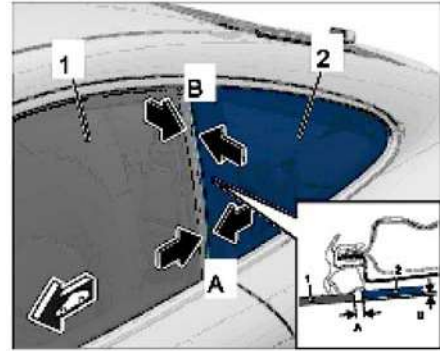
1. Adjustment, door window offset with respect to side window.
  - 1.1. By turning the guide pins **-1-**, you can change the setting in the Y-axis.



Adjusting side window

2. Adjust gap **-A-** for door window **-1-** with respect to the side window **-2-** in the X-axis. Gap between door window and side window [Gap dimension 7 mm +/-0.8 mm](#)

- Adjust offset **-B-** for door window **-1-** with respect to the side window **-2-**. Offset for door window/side window [Gap dimension 0.8 mm +/-0 mm -1 mm](#)



Gap/offset for door window/side window

## Subsequent work

### Subsequent work

- Install roof protection strip → 663319 *Removing and installing roof moulding - section on "Installing"*
- Install B-pillar trim → 706719 *Removing and installing B-pillar trim panel - section on "Installing"*

---

991110, 991111, 991120, 991121, 991130, 991131, 991410, 991411, 991420, 991421, 991430, 991431, 991450, 991451, 991810, 991811

Model year as of 2012

C00, C02, C05, C06, C07, C08, C09, C10, C11, C12, C13, C14, C15, C16, C17, C18, C19, C20, C21, C22, C23, C24, C25, C26, C27, C28, C32, C33, C34, C35, C36, C37, C38, C39, C41, C45, C46, C96, C97, C98, C99