

## **WM 635519 Removing and installing rear apron**

### **Technical values**

### **Preliminary work**

#### **Preliminary work**

1. Remove the rear light. → *943119 Removing and installing rear light - section on "Removing"*
2. Remove rear wheel housing liner. → *536919 Removing and installing rear wheel housing liner - section on "Removing"*

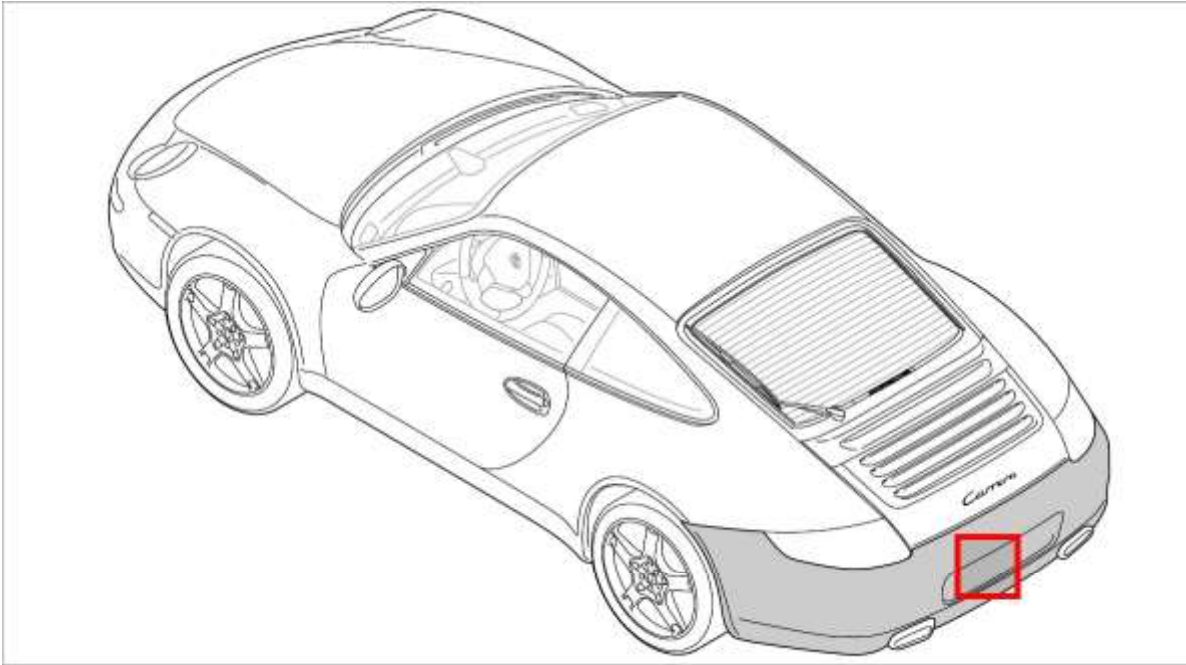
### **General warning notes**

#### **General warning notes**

General warning notes for rear spoiler. → *Safety notes*

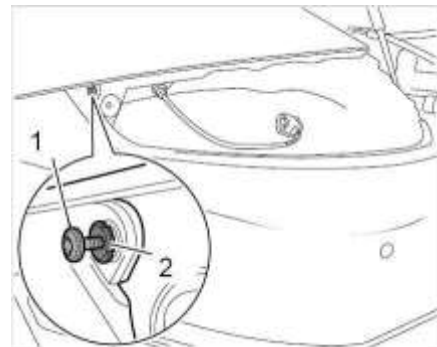
### **Removing rear apron**

## Removing rear apron



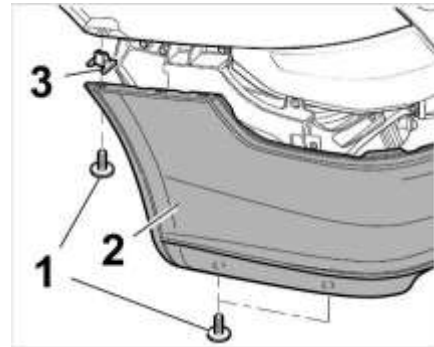
### *Installation position of rear apron*

1. Unscrew expanding pin **-1-** and unclip the expanding clip **-2-** .



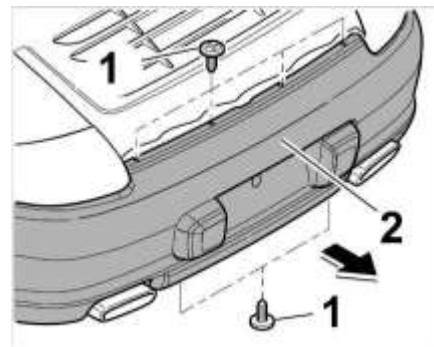
### *Removing expanding clip*

2. Unscrew fastening screws **-1-** at the sides of the rear apron **-2-** .



*Detaching rear apron at the sides*

3. Check speed nuts **-3-** and replace them if necessary.
4. Unscrew fastening screws **-1-** at the top and bottom of the rear apron **-2-** .



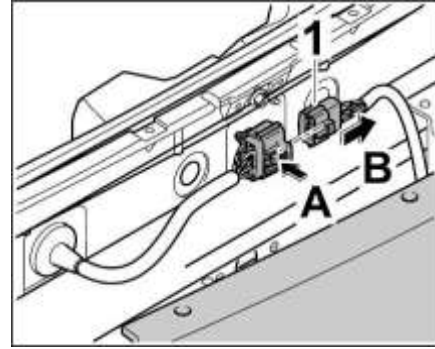
*Detaching rear apron at the top and bottom*



**Information**

Two people are needed to remove and install the rear apron!

5. Pull rear apron **-2-** carefully to the rear until the plug connection can be reached.
6. Press locking lug on plug connection **-1-** ( **-arrow A-** ) and disconnect it **-arrow B-** .

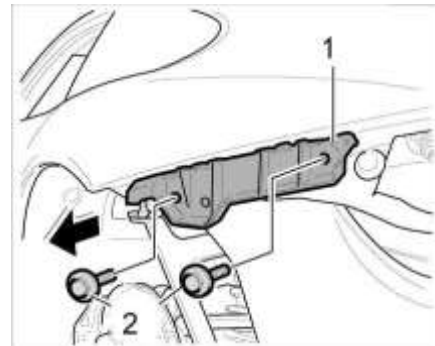


*Disconnecting plug connection*

7. Remove the rear apron.

## Installing rear apron

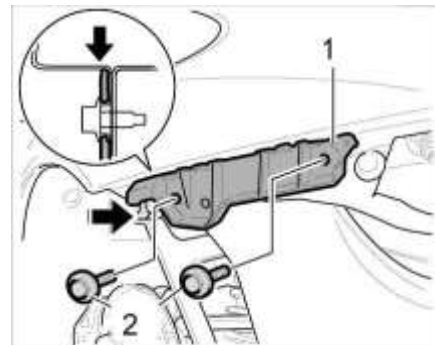
**Removing and installing holder for rear apron** 1. Remove holder for rear apron.



*Removing holder for rear apron*

- 1.1. Unscrew fastening screws **-2-** and remove holder **-1-** ( **-arrow-** ).

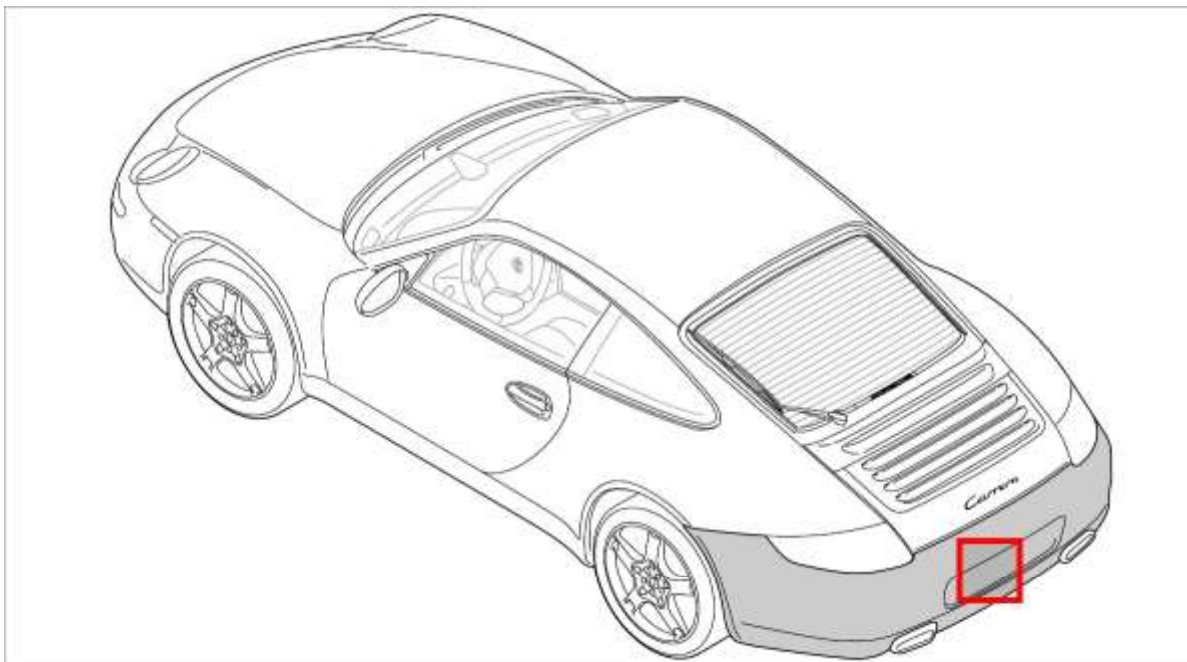
2. Install holder for rear apron.



*Installing holder for rear apron*

- 2.1. Position holder -1- on the body -**arrow**- so that it is flush with the side panel.
- 2.2. Tighten fastening screws -2- . → **Tightening torque: 10 Nm (7.5 ftlb.)**

**Installing rear apron**



*Installation position of rear apron*

**NOTICE**

**Heat protection panels not fitted correctly Risk of damage to adjacent parts**

- Make sure the heat protection panels overlap correctly.
- Replace damaged or deformed heat protection panels.

- Check heat protection panels for deformation, secure fixing of the aluminium braided cord, cracks and missing or damaged fixing tabs.
- At least 80% of the total sealing area must be sealed without gaps.

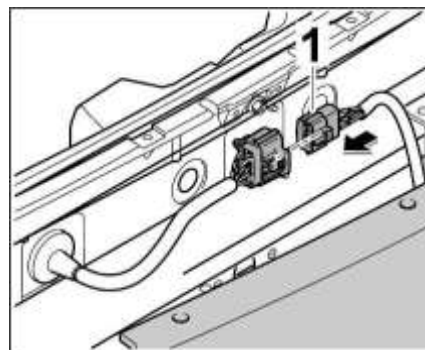
1. Before installing the rear apron, the following steps must be carried out:
  - 1.1. Check heat shields on the vehicle and replace them if necessary. → *635019 Removing and installing rear bumper - section on "Checking and adjusting"*
  - 1.2. Check position of rear lid and re-adjust it if necessary. → *559015 Adjusting rear lid - section on "Adjusting"*
  - 1.3. Check fastening points (fastening nuts) on the rear apron and replace them if necessary.



**Information**

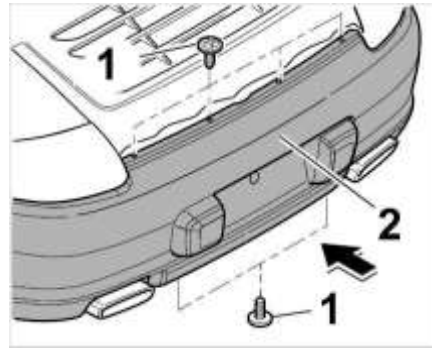
Two people are needed to remove and install the rear apron!

2. Position rear apron on the vehicle until the electric plug connection **-1-** can be connected **-arrow-**.



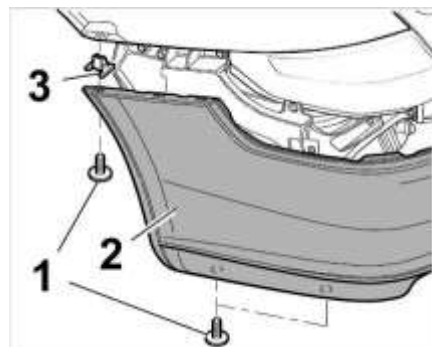
*Connecting plug connection*

3. Position the rear apron **-2-** fully on the vehicle **-arrow-**.



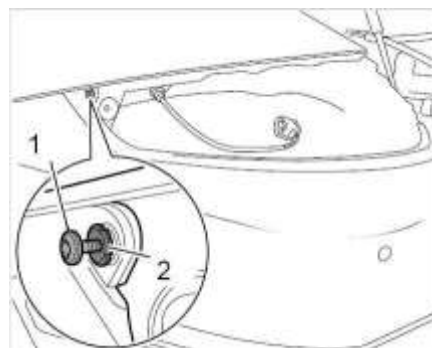
*Securing rear apron at the top and bottom*

4. Screw down fastening screws -1- at the top and bottom of the rear apron -2- . → **Tightening torque: 2.8 Nm (2.0 ftlb.)**
5. Screw in fastening screws -1- at the sides of the rear apron -2- . → **Tightening torque: 2.8 Nm (2.0 ftlb.)**



*Securing rear apron at the sides*

6. Insert expanding clip -2- and screw in expanding pin -1- .



*Installing expanding clip*

## Dimensions of tailpipes

### Gap dimensions of tailpipe

NOTICE

#### Tailpipe not fitted correctly Components can heat up

→ Observe exact gap dimensions.

→ After the test drive, check the gap dimensions again and re-adjust if necessary.

1. Check gap dimensions from tailpipes **-1-** to rear apron **-2-** and replace tailpipes if necessary. → *263419 Removing and installing tailpipe - section on "Installing"*



Gap dimensions of tailpipes

→ **Gap dimension: 19.3 mm**

→ **Gap dimension X: 21.2 mm** →

**Gap dimension Y: 24.3 mm** →

**Gap dimension Y: 11.7 mm**

→ **Gap dimension Y: 13.5 mm**

## Subsequent work

### Subsequent work

1. After fitting the rear apron, check heat protection shields for correct assembly, and correct if necessary. → *635019 Removing and installing rear bumper - section on "Checking and adjusting"*

2. Install the rear light. → *943119 Removing and installing rear light - section on "Installing"*
  3. Install rear wheel housing liner. → *536919 Removing and installing rear wheel housing liner – section on "Installing"*
  4. Check gap dimensions at rear, and adjust if necessary. → *501000 Diagram - body gap dimensions*
-