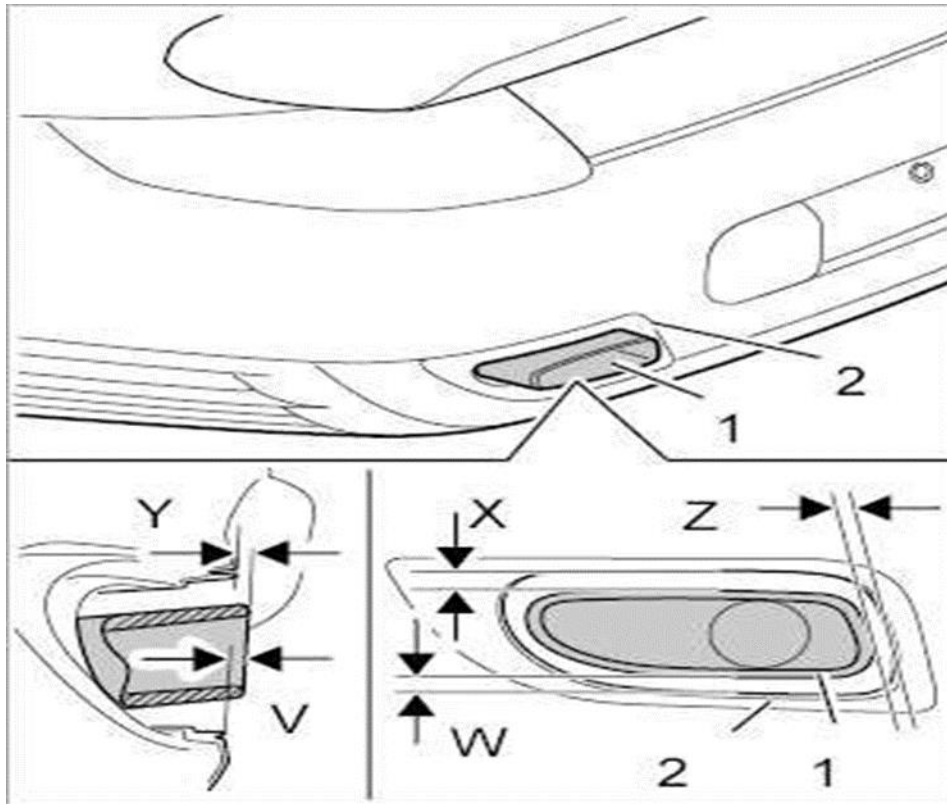


## 997.2 TT Tailpipe Gap Dimensions



Gap W dimension: 20.6 mm – Distance to bottom of rear apron

Gap X dimension: 19.6 mm - Distance to top of rear apron

Gap Z dimension: 21.1 mm – Center gaps at the sides evenly to the left and right

Gap Y dimension: 10.2 mm – Projection with respect to top of rear Apron

Gap V dimension: 12.1 mm - Projection with respect to bottom of rear Apron