

PORSCHE®

Boxster

US \$45,600

Model Year 2007 Standard Equipment includes:

Engine

245 hp, 201 lb ft torque - 2.7 liter horizontally opposed 6 cylinder, aluminum alloy engine block & cylinder heads, mid mounted engine. Integrated dry sump lubrication system, with oil cooler. 4 overhead camshafts, 4 valves per cylinder, "VarioCam Plus" continuously variable inlet valve timing and lift. 2 stage resonance induction intake manifold. Cylinder specific knock control. Stainless steel exhaust system with central tail pipe.

Power Transmission

5-speed Manual Transmission with double inertia flywheel. Hydraulic clutch actuation.

Chassis and Suspension

6.5"x17" pressure cast Boxster II wheels, 205/55ZR17 summer high performance tires - Front. 8"x17" pressure cast Boxster II wheels, 235/50ZR17 summer high performance tires - Rear. Includes anti-theft device. TPMS – Tire Pressure Monitoring System. Puncture sealing compound and electric compressor. Power assisted steering with variable ratio. McPherson strut suspension with front and rear stabilizer bars. PSM – (Porsche Stability Management), with ABS (Anti lock Braking System), ASR (Anti Slip Regulation), ABD (Automatic Brake Differential) and EDTC (Engine Drag Torque Control).

Braking System

11.7" vented and perforated rotors w/ 4 piston monobloc black calipers – front, 11.8" vented and perforated rotors w/ 4 piston monobloc black calipers – rear. ABS 8.0 – Anti Lock Braking System, brake pad wear indicators, hand operated parking brake.

Body

Two seat roadster, body shell hot dip galvanized on both sides. Front and rear luggage compartment lids in aluminum. Front air dam with dual air intakes in black. Air intakes in side section in Titanium color. Side windows with water repellent coating. Electrical soft top operation w/ manual header latch. Rear window defroster. Automatically extendable rear spoiler. Rear logotype in Titanium color. Full underbody paneling. 16.9 gallon fuel tank.

Lighting System

H7 Halogen headlights with welcome home function. Front and rear fog lamps. Uniform lighting concept in white for entire interior, continuously variable. Foot well lighting.

Electrical Equipment

On board computer w/ digital continuous indication of total mileage, trip mileage, time, outside temp and speed. Gauges for RPM's, speed, oil pressure, coolant temp and fuel level, w/ black dials. Electronic oil level measurement with map compensation. Power windows with tip up/tip down and anti-jamming. Two speed wiper system with wiper delay control, heated washer nozzles. Remote central locking with luggage compartment release, front & rear. Anti theft system including passenger compartment monitoring. Homelink door opener, cruise control, 2 power sockets, CDR-24 AM/FM/CD radio 2x25 watt, 4 loudspeakers.

Passive Safety Equipment

Fully galvanized high strength steel body with front & rear deformation zones. Two-piece roll over protection (Boron steel strengthened A-pillars w/ stainless steel roll over bar). 3 point seat belts w/ pre-tensioners and force limiters. 2 stage driver/passenger airbags. Porsche Side Impact Protection System (POSIP) consisting of side impact protection elements in each door, thorax side airbags integrated in seat backrests, head airbags located in door trim. Preparation for child seat anchorage (ISOFIX) on passenger side with switch for airbag deactivation.

Interior Equipment

Driver and passenger seat with electrical backrest adjustment and manual horizontal and height adjustment. 3 spoke steering wheel w/ manual reach and height adjustment. Steering wheel rim, gear selector, hand brake grip, armrests in the door panels trimmed in leather. Decorative stitching in light contrast color. Climate control with integrated carbon filter. Two cup holders in front. Door entry guards with "Boxster" logotype. Illuminated vanity mirror, driver and passenger. Interior trim in alu look paint finish.

Porsche Cars North America – United States Order Guide – 2007 Model Year
Options, Prices, content, and availability are subject to change without notice.

PORSCHE

Boxster S

US \$55,500

Model Year 2007 Standard Equipment includes:

Engine

295 hp, 252 lb ft torque - 3.4 liter horizontally opposed 6 cylinder, aluminum alloy engine block & cylinder heads, mid mounted engine. Integrated dry sump lubrication system, with oil cooler. 4 overhead camshafts, 4 valves per cylinder, "VarioCam Plus" continuously variable inlet valve timing and lift. 2 stage resonance induction intake manifold. Cylinder specific knock control. High performance exhaust manifolds, stainless steel exhaust system with central dual tail pipes.

Power Transmission

6-speed Manual Transmission with double inertia flywheel. Hydraulic clutch actuation.

Chassis and Suspension

8"x18" pressure cast Boxster S wheels, 235/40ZR18 summer high performance tires - Front. 9"x18" pressure cast Boxster S wheels, 265/40ZR18 summer high performance tires - Rear. Includes anti-theft device. TPMS – Tire Pressure Monitoring System. Puncture sealing compound and electric compressor. Power assisted steering with variable ratio. McPherson strut suspension with front and rear stabilizer bars. PSM – (Porsche Stability Management), with ABS (Anti lock Braking System), ASR (Anti Slip Regulation), ABD (Automatic Brake Differential) and EDTC (Engine Drag Torque Control).

Braking System

12.5" vented and perforated rotors w/ 4 piston monobloc red calipers – front, 11.8" vented and perforated rotors w/ 4 piston monobloc red calipers – rear. ABS 8.0 – Anti Lock Braking System, brake pad wear indicators, hand operated parking brake.

Body

Two seat roadster, body shell hot dip galvanized on both sides. Front and rear luggage compartment lids in aluminum. Front air dam with three air intakes, grills in titanium color. Air intakes in side section in Titanium color. Side windows with water repellent coating. Electrical soft top operation with manual header latch. Rear window defroster. Automatically extendable rear spoiler. Rear logotype in Silver color. Full underbody paneling. 16.9 gallon fuel tank.

Lighting System

H7 Halogen headlights with welcome home function. Front and rear fog lamps. Uniform lighting concept in white for entire interior, continuously variable. Foot well lighting.

Electrical Equipment

On board computer with digital continuous indication of total mileage, trip mileage, time, outside temp and speed. Gauges for RPM's, speed, oil pressure, coolant temp and fuel level, w/ aluminum dials. Electronic oil level measurement with map compensation. Power windows with tip up/tip down and anti-jamming. Two speed wiper system with wiper delay control, heated washer nozzles. Remote central locking with luggage compartment release, front & rear. Anti theft system including passenger compartment monitoring. Homelink door opener, cruise control, 2 power sockets, CDR-24 AM/FM/CD radio with Sound Package Plus, 180 watt, 7 loudspeakers.

Passive Safety Equipment

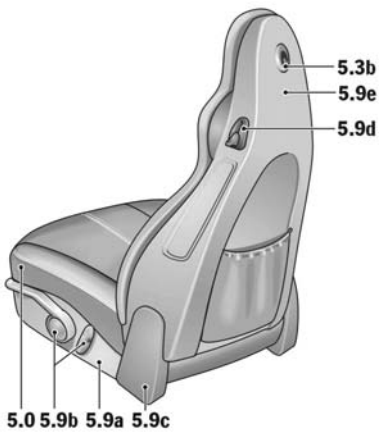
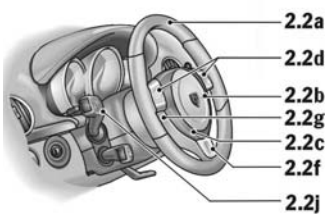
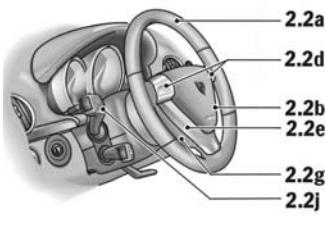
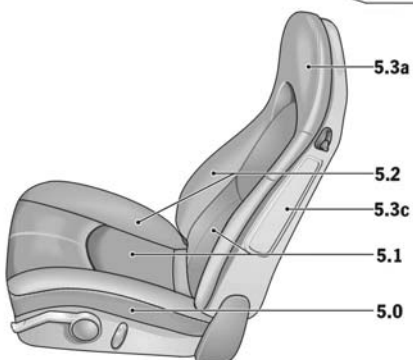
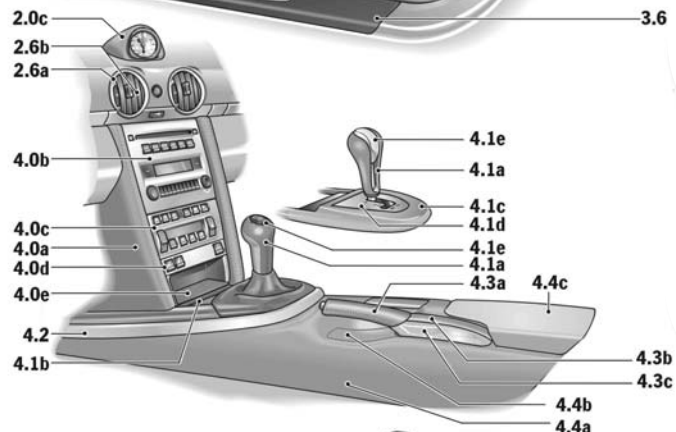
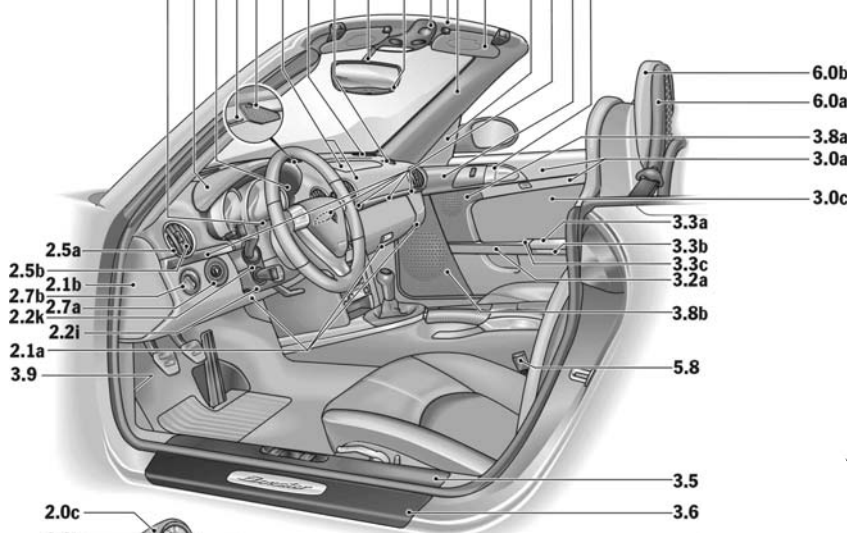
Fully galvanized high strength steel body with front & rear deformation zones. Two-piece roll over protection (Boron steel strengthened A-pillars w/ stainless steel roll over bar). 3 point seat belts w/ pre-tensioners and force limiters. 2 stage driver/passenger airbags. Porsche Side Impact Protection System (POSIP) consisting of side impact protection elements in each door, thorax side airbags integrated in seat backrests, head airbags located in door trim. Preparation for child seat anchorage (ISOFIX) on passenger side with switch for airbag deactivation.

Interior Equipment

Driver and passenger seat with electrical backrest adjustment and manual horizontal and height adjustment. 3 spoke steering wheel w/ manual reach and height adjustment. Steering wheel rim, gear selector, hand brake grip, armrests in the door panels trimmed in leather. Decorative stitching in light contrast color. Climate control with integrated carbon filter. Two cup holders in front. Door entry guards with "Boxster S" logotype. Illuminated vanity mirror, driver and passenger. Interior trim in alu look paint finish.

Porsche Cars North America – United States Order Guide – 2007 Model Year
Options, Prices, content, and availability are subject to change without notice.

2.0b 2.4a 2.0a 2.4b 1.2a 1.0a 3.0b 3.2c
 2.0e 2.0d 2.8b 2.8a 1.2c 1.1 1.0b 2.3 3.2b



1.0a	A-pillar/windscreen frame trim
1.0b	Sun visors
1.1	Interior light surround
1.2a	Rear view mirror frame
1.2b	Rear view mirror casing
1.2c	Rear view mirror mounting
2.0a	Switch panel (upper section) incl. airbag cover
2.0b	Instrument cover
2.0c	Timer cover
2.0d	Instrument surround
2.0e	Instrument surround lower section
2.1a	Switch panel (lower section) incl. glove compartment, three-part
2.1b	Switch panel end trim
2.2a	Steering wheel rim
2.2b	Airbag module
2.2c	Airbag module surround on three-spoke sports steering wheel
2.2d	Tiptronic S switches (left/right) or spoke trim (left/right)
2.2e	"Y" trim on standard steering wheel
2.2f	Lower spoke trim on three-spoke sports steering wheel
2.2g	Steering wheel hub cover
2.2h	Steering wheel adjustment collar
2.2i	Steering column casing (three-part) with hands-free microphone
2.2j	Control stalks
2.2k	Control stalk trim
2.3	Trim strip switch panel incl. cupholder trim, five-part
2.4a	Defroster trim
2.4b	Defroster air vent
2.5a	Side air vent surround
2.5b	Side air vent slats
2.6a	Central air vent surround
2.6b	Central air vent slats
2.7a	Ignition lock surround
2.7b	Light switch surround
2.8a	Loudspeaker finishers (treble) on switch panel (left/right)
2.8b	Loudspeaker finisher on switch panel (centre)
3.0a	Door trim incl. Head-Airbag cover
3.0b	Mirror attachment point finishers incl. mirror controls and base plate
3.0c	Door panel
3.2a	Front of door handle
3.2b	Door opener
3.2c	Door opener trim
3.3a	Lid of door storage bin
3.3b	Door storage bin surround
3.3c	Lid extension on door storage bin
3.5	Inner sill finisher
3.6	Door entry guard
3.8a	Loudspeaker finishers (mid-tone) incl. seat memory trim (driver's side)
3.8b	Loudspeaker finishers (bass)
3.9	Fuse box trim
4.0a	Centre console side trim, front
4.0b	Radio or PCM trim
4.0c	Climate control trim
4.0d	Lower switch trim
4.0e	Lower storage bin
4.1a	Gear lever or Tiptronic gear selector
4.1b	Gear lever trim
4.1c	Tiptronic gear selector gate surround
4.1d	Tiptronic gear selector gate
4.1e	Decorative trim on shift pattern or release of Tiptronic gear selector
4.2	Decorative trim on gear lever/selector
4.3a	Handbrake lever
4.3b	Handbrake finisher (upper section)
4.3c	Handbrake finisher (lower section)
4.4a	Rear section of centre console incl. ashtray cover
4.4b	Handbrake lever recess trim
4.4c	Lid of storage bin in rear section of centre console
5.0	Seat base
5.1	Seat centre
5.2	Lateral supports
5.3a	Integrated head restraints
5.3b	Clothes hook seat backrest
5.3c	Thorax airbag cover
5.8	Belt buckles
5.9a	Seat controls trim
5.9b	Seat controls
5.9c	Hinge cover
5.9d	Release lever
5.9e	Sports seat backrest
6.0a	Roll-over bar
6.0b	Trim on roll-over bar

987

Revision
 14.04.2004
 VRS, AP

Order Guide

Option	Description	Must Pick	Required	Conflict	Model	Price (USD)
Standard Paint						
A1	Black				Boxster	\$0
					Boxster S	\$0
B4	Carrara White				Boxster	\$0
					Boxster S	\$0
G1	Guards Red				Boxster	\$0
					Boxster S	\$0
X4	Speed Yellow				Boxster	\$0
					Boxster S	\$0
Optional Metallic Paint						
53	Forest Green Metallic				Boxster	\$690
					Boxster S	\$690
56	Cobalt Blue Metallic				Boxster	\$690
					Boxster S	\$690
9Q	Meteor Grey Metallic				Boxster	\$690
					Boxster S	\$690
E4	Carmon Red Metallic				Boxster	\$690
					Boxster S	\$690
E7	Atlas Grey Metallic				Boxster	\$690
					Boxster S	\$690
E9	Midnight Blue Metallic				Boxster	\$690
					Boxster S	\$690

Option	Description	Must Pick	Required	Conflict	Model	Price (USD)
X1	Arctic Silver Metallic				Boxster	\$690
					Boxster S	\$690
Z4	Basalt Black Metallic				Boxster	\$690
					Boxster S	\$690
Special Paint						
59	Slate Grey Metallic				Boxster	\$3,070
					Boxster S	\$3,070
7G	Dark Olive Metallic				Boxster	\$3,070
					Boxster S	\$3,070
G4	Dark Teal Metallic				Boxster	\$3,070
					Boxster S	\$3,070
J2	Lapis Blue Metallic				Boxster	\$3,070
					Boxster S	\$3,070
U2	GT Silver Metallic				Boxster	\$3,070
					Boxster S	\$3,070
Paint to Sample						
98	Non-Metallic Paint to Sample		789 25041		Boxster	\$4,315
	This option usually results in a production delay of 3 to 6 months. Not all color requests can be fulfilled and Porsche may require the customer or dealership to supply a paint sample or paint code in order to conduct feasibility testing. The deadline for submission of MY06 Pain to Sample orders will be approximately March 01, 2007. Contact PCNA for further details and confirmation of deadline.				Boxster S	\$4,315

Option	Description	Must Pick	Required	Conflict	Model	Price (USD)
99	Metallic Paint to Sample This option usually results in a production delay of 3 to 6 months. Not all color requests can be fulfilled and Porsche may require the customer or dealership to supply a paint sample or paint code in order to conduct feasibility testing. The deadline for submission of MY07 Paint to Sample orders will be approximately March 01, 2007. Contact PCNA for further details and confirmation of deadline.		789 25041		Boxster	\$4,315
					Boxster S	\$4,315

Convertible Top Colors

V3	Stone Grey Top				Boxster	\$0
					Boxster S	\$0
V4	Metropol Blue Top				Boxster	\$0
					Boxster S	\$0
V5	Cocoa Top				Boxster	\$0
					Boxster S	\$0
V9	Black Top				Boxster	\$0
					Boxster S	\$0

Standard Leather

AN	Black Standard Leather				Boxster	\$0
					Boxster S	\$0
DC	Stone Grey Standard Leather				Boxster	\$0
					Boxster S	\$0
FB	Sea Blue Standard Leather				Boxster	\$0
					Boxster S	\$0
JU	Palm Green Standard Leather				Boxster	\$0
					Boxster S	\$0

Option	Description	Must Pick	Required	Conflict	Model	Price (USD)
TD	Sand Beige Standard Leather				Boxster	\$0
					Boxster S	\$0
Leather for Sport Seats						
AP	Black Sport Seats	P01 P77			Boxster	\$0
					Boxster S	\$0
DD	Stone Grey Sport Seats	P01 P77			Boxster	\$0
					Boxster S	\$0
FC	Sea Blue Sport Seats	P01 P77			Boxster	\$0
					Boxster S	\$0
JV	Palm Green Sport Seats	P01 P77			Boxster	\$0
					Boxster S	\$0
TE	Sand Beige Sport Seats	P01 P77			Boxster	\$0
					Boxster S	\$0
P77	Leather Sport Seats Leather Sport Seats Manual fore/aft and height adjustment, electric back adjustment. Seatbacks in Volcano Grey.	AP DD FC JV TE		P15 982 P01	Boxster	\$760
					Boxster S	\$760
Full Leather						
AT	Black Full Leather Items in Leather: Steering wheel rim, gear lever, and gearshift cover/tiptronic S gear selector, handbrake handle and handbrake finisher and door handles covered in leather.				Boxster	\$2,095
					Boxster S	\$2,095
DF	Stone Grey Full Leather				Boxster	\$2,095
					Boxster S	\$2,095
FE	Sea Blue Full Leather				Boxster	\$2,095
					Boxster S	\$2,095

Option	Description	Must Pick	Required	Conflict	Model	Price (USD)
JX	Palm Green Full Leather				Boxster	\$2,095
					Boxster S	\$2,095
TG	Sand Beige Full Leather				Boxster	\$2,095
					Boxster S	\$2,095
P78	Sport Seats w/Full Leather Int	AT BG DF FE JX TG 05 06 MB RA		P15 982 P77	Boxster	\$400
					Boxster S	\$400
Special Leather						
05	Natural Leather Grey		998		Boxster	\$3,605
					Boxster S	\$3,605
06	Natural Leather Brown		998		Boxster	\$3,605
					Boxster S	\$3,605
BG	Black/Stone Grey Interior Leather Black: Steering wheel rim, gear lever or tiptronic gear selector, handbrake lever and door trim (upper part), dashboard upper section, instrument cover. Leather Stone Grey: Gear shift cover, handbrake finisher (upper section), lid of storage bin in rear section of center console, head airbag cover, switch panel (lower section), including glove compartment, center console, side trim front. Soft Paint Stone Grey: Rear part of center console, loudspeaker finisher on door, switch panel end trim, gear lever trim, step protection foil in stone grey. Seats: Black Leather with Grey inserts. Carpeting in Stone Grey.		970		Boxster	\$2,525
					Boxster S	\$2,525
MB	Special Leather Terracotta			998	Boxster	\$2,525
					Boxster S	\$2,525
RA	Special Leather Cocoa			998	Boxster	\$2,525
					Boxster S	\$2,525

Option	Description	Must Pick	Required	Conflict	Model	Price (USD)
--------	-------------	-----------	----------	----------	-------	-------------

Leather to Sample

99	Leather Interior to Sample		2505		Boxster	\$3,845
	This option usually results in a production delay of 3 to 6 months. An interior sketch is required. Not all leather requests can be fulfilled and Porsche may require the customer or dealership to supply a leather sample or previous interior code in order to conduct feasibility testing. The deadline for submission of MY07 Leather to Sample orders will be approximately March 01, 2007. Contact PCNA for further details and confirmation of the deadline. Note: Loudspeaker grills (door and dash) in black, steering wheel and airbag cover in black. Steering wheel rim and gearshift boot in black unless Exclusive options are ordered.				Boxster S	\$3,845

Floormats

CFX	Floor Mats With Colored Trim		810		Boxster	\$440
					Boxster S	\$440
M6A	Black Mats - Porsche lettering		M6B M6C M6G M6H M6N M6T M6Z		Boxster	\$115
					Boxster S	\$115
M6B	Sea Blue Floor Mats		M6A M6C M6G M6H M6N M6T M6Z		Boxster	\$115
					Boxster S	\$115
M6C	Cocoa Floor Mats		M6A M6B M6G M6H M6N M6T M6Z		Boxster	\$115
					Boxster S	\$115
M6G	Stone Grey Floor Mats		M6A M6B M6C M6H M6N M6T M6Z		Boxster	\$115
					Boxster S	\$115
M6H	Natural Brown Floor Mats		M6A M6B M6C M6G M6N M6T M6Z		Boxster	\$115
					Boxster S	\$115

Option	Description	Must Pick	Required	Conflict	Model	Price (USD)	
M6N	Sand Beige Floor Mats			M6A M6B M6C	Boxster	\$115	
				M6G M6H M6T M6Z	Boxster S	\$115	
M6T	Terracotta Floor Mats			M6A M6B M6C	Boxster	\$115	
				M6G M6H M6N M6Z	Boxster S	\$115	
M6Z	Floor Mats Interior Color	PPA PPB PPAT PPBT			Boxster	\$115	
					Boxster S	\$115	
Packages							
PPA	Preferred Package Includes Wheel Caps with Colored Crest (446), Self-Dim Mirrors & Rain Sensor (P12), Bose Sound System (680), Heated Seats (342), Floor Mats in Interior Color (M6Z).				PPB M6A M6B	Boxster	\$1,990
					M6C M6G M6H M6N M6T PPAT 249 PPBT	Boxster S	\$2,190
PPAT	Preferred Package w/Tip Includes all options in Preferred Package and adds: Tiptronic (249).				PPB M6A M6B	Boxster	\$4,890
					M6C M6G M6H M6N M6T PPBT PPA	Boxster S	\$4,995
PPB	Preferred Package Plus Includes all options in Preferred Package and adds: Bi-Xenon Headlamps (P74). Power Seats (P15), Remote CD Changer (692).				PPA M6A M6B	Boxster	\$3,850
					M6C M6G M6H M6N M6T PPBT 249	Boxster S	\$4,995
PPBT	Preferred Package Plus w/Tip Includes all options in Preferred Package Plus and adds: Tiptronic (249).				PPA M6A M6B	Boxster	\$6,690
					M6C M6G M6H M6N M6T PPAT PPB	Boxster S	\$7,995
XAL	Sport Design Package Comprised of additional fixed parts on standard front apron, new automatically extending and retracting rear spoiler in conjunction with new rear apron to optimize aerodynamics and design. *Note: Substantially reduces entry angle to gradients.				Boxster	\$5,865	
					Boxster S	\$5,865	

Option	Description	Must Pick	Required	Conflict	Model	Price (USD)
Seats						
342	Heated Front Seats Two stage heated front seats.				Boxster Boxster S	\$480 \$480
982	Supple Leather Front and Rear Soft ruffled leather on seat center (7.0).			P01 P77 P78 AN DC FB JU TD	Boxster Boxster S	\$365 \$365
P01	Adaptive Sport Seats Sport seats with electric adjustment for all seats functions, adjustable side bolsters, memory function for seat, and mirrors. Includes lumbar adjustment on driver side. Seatbacks in Volcano Grey.	AP DD FC JV TE		P77 P15 AN P01L 982 P78 DC FB JU	Boxster Boxster S	\$3,055 \$3,055
P01L	Adaptive Sport Sts Lthr Int	AT BG DF FE JX TG 05 06 MB RA 99		982 AN DC FB JU P01 P15 P77 P78	Boxster Boxster S	\$2,695 \$2,695
P15	Power Seat Package Power Seat Package with driver memory and full electrical adjustment. Includes lumbar adjustment on driver side.			P01 P77	Boxster Boxster S	\$1,550 \$1,550
XSC	Porsche Crest in Headrest Headrests on front seats (5.3a) embossed with Porsche Crest.				Boxster Boxster S	\$270 \$270
Audio & Communications						
461	Rod Antenna Externally mounted antenna to improve AM reception. Location: right front fender.				Boxster Boxster S	\$0 \$0
490	Sound Package Plus Includes 7 speakers and CD storage in glove box.			680 P73	Boxster	\$715
635	Park Assist System Parking aid with 4 integrated sensors in rear bumper only.				Boxster Boxster S	\$530 \$530

Option	Description	Must Pick	Required	Conflict	Model	Price (USD)
639	Sport Chrono Pkg W/Out PCM			640 P16 P23	Boxster	\$920
					Boxster S	\$920
640	Sport Chrono Package Plus Package includes analog and digital chronometer, sport button in the center console and display in the PCM; also adds ability to adjust lighting, wipers, AC and door locking to suit personal preference.	P16 P23		639	Boxster	\$920
					Boxster S	\$920
641	Electronic Logbook Enables automatic acquisition of mileage, driving distance, date, time and address of starting point and destination at every trip including PC-software for data download and evaluation.	P16 P23	P16		Boxster	\$650
					Boxster S	\$650
666	Module for Telephone PCM Phone module for PCM allows users with a GSM phone to insert a SIM card and use the PCM as a hands-free telephone.	P16 P23			Boxster	\$960
					Boxster S	\$960
668	Handset for Telephone Module Passive handset for telephone module. Handset does not have dialing capability.			666	Boxster	\$260
					Boxster S	\$260
680	Bose Surround Sound System			490 584 P73	Boxster	\$1,665
					Boxster S	\$950
692	Remote CD Changer (6 Disc)				Boxster	\$650
					Boxster S	\$650
P16	PCM 2.1 5.8" screen with 12 button keypad. 2-tuner, top-radio with integrated CD-Rom/Audio drive, DVD-based GPS navigation module, on-board computer with simultaneous indicator of basic audio and navigation information.			P23 639	Boxster	\$3,070
					Boxster S	\$3,070
P23	PCM 2.1 w/Extended Navigation Allows navigation on unmapped roads via GPS and compass.			639 P16	Boxster	\$3,275
					Boxster S	\$3,275

Option	Description	Must Pick	Required	Conflict	Model	Price (USD)
Technical						
249	Tiptronic S 5-speed automatic transmission with gear selectors mounted on the steering wheel.			ECA P04 XCZ X97	Boxster Boxster S	\$3,210 \$3,210
450	Ceramic Composite Brakes-PCCB				Boxster S	\$8,150
475	PASM Porsche Active Suspension Management system. Includes active management of suspension firmness and a ride height decrease of -10mm from the standard suspension.			P04	Boxster Boxster S	\$1,990 \$1,990
509	Fire Extinguisher				Boxster Boxster S	\$140 \$140
550	Hard Top Hard Top in exterior color and includes heated rear window.				Boxster Boxster S	\$2,345 \$2,345
551	Porsche Windstop (Deflector)	584 680		P73	Boxster Boxster S	\$375 \$375
P04	Sport Package 6-spd plus PASM			249 475	Boxster	\$2,680
P12	Self-Dim Mirrors & Rain Sensor Auto dimming interior and exterior mirrors. Rain sensor to control wiper speed.				Boxster Boxster S	\$690 \$690
P74	Bi-Xenon Headlamp Package Bi-Xenon Headlamp Package with dynamic leveling and headlight washers.				Boxster Boxster S	\$1,090 \$1,090
XLF	Sport Exhaust System				Boxster Boxster S	\$2,100 \$2,100

Option	Description	Must Pick	Required	Conflict	Model	Price (USD)
Wheels						
397	18" Boxster S Wheel			398 401 403 404 405 407 XRR	Boxster	\$1,235
398	17" Cayman Wheel			397 401 403 404 405 407 XRR	Boxster	\$390
401	18" Cayman S Wheel			397 398 403 404 405 407 XRR	Boxster Boxster S	\$1,235 \$390
403	19" Carrera S Wheel			397 398 401 403 404 405 407 XRR	Boxster Boxster S	\$2,785 \$1,550
404	19" Turbo Wheel			397 398 401 403 405 407 XD9 XRR	Boxster Boxster S	\$3,675 \$2,440
405	19" Carrera Classic Wheel			397 398 401 403 405 407 XD9 XRR	Boxster Boxster S	\$3,175 \$1,940
407	19" Sport Design Wheel			397 398 401 403 404 405 XD9 XRR	Boxster Boxster S	\$3,175 \$1,940
446	Wheel Caps with Colored Crest Wheel Caps with Colored Porsche Crest			XD9 XRR	Boxster Boxster S	\$185 \$185
XD9	Rims and Caps - Exterior Color with colored Porsche Crest	397 401 403 407 XRR		404 405 446	Boxster Boxster S	\$1,290 \$1,290
XRP	5mm Wheel Spacers			XRR	Boxster Boxster S	\$490 \$490
XRR	19" Carrera Sport Wheel			397 398 401 403 404 405 407 446 XRP	Boxster Boxster S	\$3,620 \$2,385

Option	Description	Must Pick	Required	Conflict	Model	Price (USD)
Interior Options						
573	Automatic Climate Control				Boxster	\$550
					Boxster S	\$550
584	Storage Box on Engine Cover			680	Boxster	\$0
					Boxster S	\$0
Interior Cosmetic						
X70	Metal Door Sill Model Insignia Door entry guards in stainless steel with Boxster/Boxster S logo (3.6).			X69	Boxster	\$415
					Boxster S	\$415
X97	Gear Shifter Aluminum Gear lever in new design in aluminum. Inlays in gear lever finished in smooth leather in interior color.			99 249 801 802 803 DAD ECA	Boxster	\$1,760
					Boxster S	\$1,760
XFD	Instrument Dials Sand Beige			XFE XFF XFG XFH XFJ	Boxster	\$690
					Boxster S	\$690
XFE	Instrument Dials Terracotta			XFD XFF XFG XFH XFJ	Boxster	\$690
					Boxster S	\$690
XFF	Instrument Dials Nat. Brown			XFD XFE XFG XFH XFJ	Boxster	\$690
					Boxster S	\$690
XFG	Instrument Dials Guards Red			XFD XFE XFF XFH XFJ	Boxster	\$690
					Boxster S	\$690
XFH	Instrument Dials Speed Yellow			XFD XFE XFF XFG XFJ	Boxster	\$690
					Boxster S	\$690
XFJ	Instrument Dials Carrara White			XFE XFF XFG XFH XFD	Boxster	\$690
					Boxster S	\$690
XSH	Seat Belts - Silver			XSX XSY	Boxster	\$340
					Boxster S	\$340

Option	Description	Must Pick	Required	Conflict	Model	Price (USD)
XSX	Seat Belts - Guards Red			XSH XSX	Boxster	\$340
					Boxster S	\$340
XSY	Seat Belts - Speed Yellow			XSH XSX	Boxster	\$340
					Boxster S	\$340
XXZ	Foot Rest Aluminum Driver's side foot rest in aluminum and rubber.				Boxster	\$250
					Boxster S	\$250
Interior Options in Leather						
431	3-Spoke Str Whl Multifctn Lthr Smooth leather finish in interior color: steering wheel rim (2.2a) (with cross stitched seam) and airbag module (2.2b). Note: only in conjunction with PCM (P16).	P16 P23		435 451 452 453 459 460 XPA XPV	Boxster	\$990
					Boxster S	\$990
435	Sport Steering Wheel Three spoke steering wheel with smaller diameter and contoured rim.			431 451 452 453 459 460 XPA XPV	Boxster	\$250
					Boxster S	\$250
459	Leather Steering Wheel Smooth leather finish in interior color: steering wheel rim (2.2a) (with cross stitched seam) and airbag module (2.2b).			431 435 451 452 453 460 XPA XPV	Boxster	\$490
					Boxster S	\$490
460	Sport Steering Wheel Lthr Smaller wheel diameter rounded center and contoured rim with thumb rests; smooth leather finish in interior color: steering wheel rim (2.2a) (with cross stitched seam), airbag module (2.2b).			431 435 451 452 453 459 XPA XPV	Boxster	\$740
					Boxster S	\$740
EBA	Leather Dashboard Trim Smooth leather finish in interior color. Side air vent slats (2.5b), central air vent slats (2.6b), loudspeaker finisher on switch panel (center 2.8b), defroster trim (2.4a), trim strip switch panel incl. cupholder trim (2.3).			EBB EBC EBD EBE 801 802 803	Boxster	\$2,050
					Boxster S	\$2,050

Option	Description	Must Pick	Required	Conflict	Model	Price (USD)
XMR	Leather Sunvisors Sunvisors (left/right 1.0b) and vanity mirror covers in leather in interior color. Passenger's sun visor includes reading light with switch.				Boxster	\$665
					Boxster S	\$665
XMZ	Rear Center Console - Leather Smooth leather finish in interior color: rear section of center console incl. ashtray cover (4.4a), handbreak lever recess trim (4.4b).			XMJ XCK XME XJT	Boxster	\$1,260
				XJU	Boxster S	\$1,260
XNG	Instrument Surround in Leather Smooth leather finish in interior color: instrument surround (2.0d).			EBE XCL	Boxster	\$260
					Boxster S	\$260
XNS	Sterng Colum Covered Intr Lthr 2.2i				Boxster	\$420
					Boxster S	\$420
XPA	Thicker Steering Wheel-Leather Sport steering wheel with thicker rim and smooth leather finish in interior color: thicker steering rim (2.2a) (with cross stitched seam), airbag module (2.2b), steering wheel hub cover (2.2g).			431 435 451 452	Boxster	\$1,050
				453 459 460 XPV	Boxster S	\$1,050
XSB	Sport Seat Backs in Leather Front Seat Backs in leather in interior color.	P01 P77 P78		XCG XSA	Boxster	\$1,610
		P01L			Boxster S	\$1,610
XTV	Door Finishers in Leather Smooth leather finish in interior color: Door opener trim (3.2c).			XTL XTT XTU XTW	Boxster	\$360
					Boxster S	\$360
Custom Tailoring and Deviations - Leather						
CDT	Seat Belt Buckles Leather				Boxster	\$760
					Boxster S	\$760
CDW	"Y" Trim Strng Wheel in Lthr. 2.2e			435 460 XPA	Boxster	\$290
					Boxster S	\$290
CDZ	Gear Lever Trim Leather			249	Boxster	\$250
					Boxster S	\$250

Option	Description	Must Pick	Required	Conflict	Model	Price (USD)
CFA	Tiptronic Gate Leather		249		Boxster	\$310
					Boxster S	\$310
CFP	Tip Handbrake Lever Alu/Lthr In aluminum: Inlay in handbrake lever (4.3a) with Porsche logo. Smooth leather finish in interior color: handbrake lever (4.3a), handbrake finisher (upper section; 4.3b). Aluminum Look paint finish: handbrake finisher (lower section; 4.3c).		249	801 802 803 ECA DAD X97	Boxster	\$780
					Boxster S	\$780
CNA	Defroster Trim Leather			EBA EBB EBC EBD CNB	Boxster	\$580
					Boxster S	\$580
CNB	Defroster air vents leather				Boxster	\$390
					Boxster S	\$390
CPA	Thicker 3 Spoke/Multi Fctn Whl Thicker steering wheel rim with cross stitched seam.			435 451 452 453 460 XPA XPV	Boxster	\$930
					Boxster S	\$930
CPT	Storage Lid Bin W/Porsche Crst 4.4c			CUV	Boxster	\$290
					Boxster S	\$290
CPU	Key Pouch Interior Color Leath				Boxster	\$95
					Boxster S	\$95
CTG	Inner Sill Finishers Leather				Boxster	\$840
					Boxster S	\$840
CUJ	Fuse Box trim Leather 3.9				Boxster	\$140
					Boxster S	\$140
CUR	PCM Package Leather	P16 P23		CCP CUF CMF	Boxster	\$2,230
					Boxster S	\$2,230
CUT	Windscreen frame trim leather				Boxster	\$990
					Boxster S	\$990

Option	Description	Must Pick	Required	Conflict	Model	Price (USD)
CUV	Storage Cmpt Lid W/Model Logo			CPT	Boxster	\$290
					Boxster S	\$290
CVP	Trim Strip Leather 2.3			801 802 803 CDE CDM CMM EBA	Boxster	\$590
					Boxster S	\$590
CVW	Rear View Mirror Leather				Boxster	\$475
					Boxster S	\$475
CVY	Clothes Hook Backrest Leather 5.3b				Boxster	\$240
					Boxster S	\$240
DAA	Interior Pkg A Pillar Leather				Boxster	\$740
					Boxster S	\$740
DAD	Gear Lever/Handbrake Alu./Lthr			249 801 802 803 CFP X97	Boxster	\$1,680
					Boxster S	\$1,680

Interior Options in Aluminum Look

EBE	Aluminum Look Dashboard Trim Aluminum Look paint finish: instrument surround (2.0d). Smooth leather finish in interior color: side air vent slats (2.5b), central air vent slats (2.6b), loudspeaker finisher on switch panel (center 2.8b), defroster trim (2.4a).			EBA EBB EBC EBD XCL XNG	Boxster	\$1,230
					Boxster S	\$1,230
ECA	Gear/Handbrake Lever Alu Look			249 801 802 803 99	Boxster	\$995
					Boxster S	\$995
XCG	Seat Backs In Aluminum Look	P01 P01L P77 P78		XSA	Boxster	\$1,495
					Boxster S	\$1,495
XCK	Rear Cnt.Cnsl in Aluminum Look Aluminum Look Paint finish: rear section of center console incl. ashtray cover (4.4a). Smooth leather finish in interior color: handbreak lever recess trim (4.4b).			451 452 801 802 XME XJT XJU XMJ XMZ	Boxster	\$730
					Boxster S	\$730

Option	Description	Must Pick	Required	Conflict	Model	Price (USD)
XCL	Instrument Surround Alum. Look Aluminum Look finish: instrument surround (2.0d).			EBE XNG	Boxster	\$360
					Boxster S	\$360
XCM	Roll Bar Aluminum Look Aluminum look paint finish on roll-over bar (6.0a).			XMK	Boxster	\$535
					Boxster S	\$535
XPV	Steer Whl. Multifctn Alum Look Aluminum Look paint with smooth leather in interior color: steering wheel rim (2.2a) with cross stitched seam. Smooth leather finish in interior color: airbag module (2.2b), steering wheel hub cover (2.2g). Note: only in conjunction with PCM (P16).	P16 P23	P16	431 435 451 452 453 459 460 XPA	Boxster	\$1,310
					Boxster S	\$1,310
XTW	Door Finishers Aluminum Look Aluminum Look Paint finish: lid of storage bin (3.3a), lid extension on door storage bin (3.3c), door opener trim (3.2c).			451 452 801 802 XJT XJU XTL XTT XTU XTV	Boxster	\$1,230
					Boxster S	\$1,230
Custom Tailoring and Deviations - Aluminum Look						
CCP	PCM Package Alu. Look	P16 P23		CUF CUR CMF	Boxster	\$2,230
					Boxster S	\$2,230
CCR	PCM Handset Aluminum Look		668	CER CFC CFH CEA CED CML	Boxster	\$540
					Boxster S	\$540
CDA	Air Vent Slats Aluminum Look Side air vents (2.5b), central air vents (2.6b).			EBA EBB EBC EBD EBE CDN CMN	Boxster	\$1,290
					Boxster S	\$1,290
CDD	"Y" Trim Strng Wheel Alu. Lk 2.2e			435 460 XPA	Boxster	\$290
					Boxster S	\$290
CDE	Trim Strip Aluminum Look			801 802 803 CDM CVP CMM	Boxster	\$520
CDF	Gear Lever Trim Aluminum Look			CDJ CMJ	Boxster	\$290
					Boxster S	\$290

Option	Description	Must Pick	Required	Conflict	Model	Price (USD)
DAE	Exterior Package Aluminum Look Aluminum look finish: front air intakes (left/right), air inlets in the rear quarter panel, wing mirror (lower part of shell).			DAG	Boxster	\$1,650
					Boxster S	\$1,650
Interior Options in Carbon						
453	Carbon Str Whl Multifctn Steering wheel rim (2.2a) with smooth leather finish with carbon inserts; airbag module (2.2b) with smooth leather finish. Note: only in conjunction with PCM (P16).	P16 P23		431 435 451 452 459 460 XPV XPA	Boxster	\$1,360
					Boxster S	\$1,360
803	Carbon Package Carbon fiber finish: trim strip switch panel incl. cupholder trim, five part (2.3) gear lever or Tiptronic selector (4.1a), handbreak lever (4.3a).			451 452 801 802 CDM EBA ECA X97	Boxster	\$890
					Boxster S	\$890
EBD	Carbon Dashboard Trim Carbon fiber finish: inlay in defroster trim (2.4a). Smooth leather finish in interior color: side air vent slats (2.5b), central air vent slats (2.6b), loudspeaker finisher on switch panel (center; 2.8b), defroster trim (partially; 2.4a).			EBA EBB EBC EBE	Boxster	\$1,650
					Boxster S	\$1,650
X69	Carbon Door Sil Model Insignia Door entry guards in carbon with Boxster/Boxster S logo (3.6).			X70	Boxster	\$570
					Boxster S	\$570
XMJ	Rear Center Console - Carbon Carbon Fiber finish: rear section of center console incl. ashtray cover (4.4a). Smooth leather finish in interior color: handbreak lever recess trim (4.4b).			451 452 801 802 XCK XME XJT XJU XMZ	Boxster	\$1,625
					Boxster S	\$1,625
XTL	Door Finisher in Carbon Carbon fiber finish: lid of storage bin (3.3a), lid extension on door storage bin (3.3c), door opener trim (3.2c).			XTT XTU XTV XTW	Boxster	\$2,150
					Boxster S	\$2,150
Custom Tailoring and Deviations - Carbon						
CED	PCM Handset Carbon		668	CCR CEA CED CER CFC CML	Boxster	\$890
					Boxster S	\$890

Option	Description	Must Pick	Required	Conflict	Model	Price (USD)
CXD	Door Entry Grds Carbon Illumin			CXB X69 X70	Boxster	\$1,380
					Boxster S	\$1,380

Interior Options in Light Wood

452	Sycamore Str Whl Multifctn Steering wheel rim (2.2a) with smooth leather finish with wood inserts; airbag module (2.2b) with smooth leather finish. Note: only in conjunction with PCM (P16).	P16 P23		431 435 451 453	Boxster	\$1,360
				459 460 XPA XPV	Boxster S	\$1,360
802	Sycamore Package Light sycamore finish: trim strip switch panel incl. cupholder trim, five part (2.3) gear lever or Tiptronic selector (4.1a), handbrake lever (4.3a).			451 801 803 EBA	Boxster	\$890
				ECA X97	Boxster S	\$890
EBC	Sycamore Dashboard Trim Light Sycamore finish: inlay in defroster trim (2.4a) Smooth leather finish in interior color: side air vent slats (2.5b), central air vent slats (2.6b), loudspeaker finisher on switch panel (center; 2.8b), defroster trim (partially; 2.4a).			EBA EBB EBD EBE	Boxster	\$1,650
					Boxster S	\$1,650
XJU	Rear Ctr. Console Sycamore Light Sycamore finish: rear section of center console incl. ashtray cover (4.4a). Smooth leather finish in interior color: handbrake lever recess trim (4.4b).			451 801 803 XTL	Boxster	\$1,625
				XCK XTT XJT XME XMZ XMJ XTV XTW	Boxster S	\$1,625
XTU	Door Finishers Sycamore Light Sycamore finish: lid of storage bin (3.3a), lid extension on door storage bin (3.3c), door opener trim (3.2c).			451 801 803 XTL	Boxster	\$2,150
				XTT XCK XJT XMJ XTV XTW	Boxster S	\$2,150

Interior Options in Dark Wood

451	Makassar Str Whl Multifctn Steering wheel rim (2.2a) with smooth leather finish with wood inserts; airbag module (2.2b) with smooth leather finish. Note: only in conjunction with PCM (P16).	P16 P23		431 435 452 453	Boxster	\$1,360
				459 460 XPA XPV	Boxster S	\$1,360

Option	Description	Must Pick	Required	Conflict	Model	Price (USD)
801	Makassar Package Dark Makassar finish: trim strip switch panel incl. cupholder trim, five part (2.3) gear lever or Tiptronic selector (4.1a), handbrake lever (4.3a).			452 802 803 EBA	Boxster	\$890
				ECA X97	Boxster S	\$890
EBB	Makassar Dashboard Trim Dark Makassar finish: inlay in defroster trim (2.4a). Smooth leather finish in interior color: side air vent slats (2.5b), central air vent slats (2.6b), loudspeaker finisher on switch panel (center; (2.8b). defroster trim (partially; 2.4a).			EBA EBC EBD EBE	Boxster	\$1,650
					Boxster S	\$1,650
XJT	Rear Ctr. Console Makassar Dark Makassar finish: rear section of center console incl. ashtray cover (4.4a). Smooth leather finish in interior color: handbrake lever recess trim (4.4b).			452 802 803 XCK	Boxster	\$1,625
				XJU XME XMJ XMZ	Boxster S	\$1,625
XTT	Door Finishers Makassar Dark Makassar finish: lid of storage bin (3.3a), lid extension on door storage bin (3.3c), door opener trim (3.2c).			452 802 803 XCK	Boxster	\$2,150
				XJU XTL XTU XTV XTW	Boxster S	\$2,150
Custom Tailoring and Deviations - Wood						
CFC	PCM Handset Sycamore		668	CCR CEA CED	Boxster	\$890
				CER CFC CML	Boxster S	\$890
CFH	PCM Handset Makassar		668	CCR CEA CED	Boxster	\$890
				CER CFH CML	Boxster S	\$890
Interior Options in Exterior Color						
XME	Rear Ctr Cons Painted ExtrClr Paint finish in exterior color: rear section of center console including ashtray cover (4.4a). Leather finish in interior color: handbrake lever recess trim (4.4b).			XCK XJU XJT XMJ	Boxster	\$730
				XMZ	Boxster S	\$730
XMK	Roll Bar Painted ExteriorClr Roll Bar Painted in Exterior Color (6.0a).			XCM	Boxster	\$535
					Boxster S	\$535

Option	Description	Must Pick	Required	Conflict	Model	Price (USD)
XSA	Sport Seat Backs Painted Front Seat Backs Painted in exterior color.	P77 P78 P01 P01L		789 P15 XCG XSB	Boxster	\$1,495
					Boxster S	\$1,495
Custom Tailoring and Deviations - Exterior Color						
CDJ	Gear Lever Trim Exterior Color				Boxster	\$290
					Boxster S	\$290
CDM	Trim Strip Painted Ext Clr			801 802 803 CDE CVP CMM	Boxster	\$520
					Boxster S	\$520
CDN	Air Vent Slats Painted Ext Clr			EBA EBB EBC EBD EBE CDA CMN	Boxster	\$1,190
					Boxster S	\$1,190
CDP	Instr Surround Painted Ext Clr				Boxster	\$440
					Boxster S	\$440
CER	PCM Handset Painted Ext Clr		668	CCR CEA CED CFC CFH CML	Boxster	\$540
					Boxster S	\$540
CET	Door Opener Trim Exterior Clr			CMK XTL XTT XTU XTV XTW	Boxster	\$780
					Boxster S	\$780
CGA	Headlight Cleaner Cvr Ext.Clr		P74		Boxster	\$215
					Boxster S	\$215
CRX	Wheels Painted in Dev. Color			398 404 405 446 XD9 XRR	Boxster	\$1,915
					Boxster S	\$1,915
CUC	Painted Model Desig Rear Lid Painted in exterior color.		498		Boxster	\$130
					Boxster S	\$130
CUF	PCM Package Painted Ext.Color	P16 P23	P16 P23	CCP CMF CUR	Boxster	\$2,230
					Boxster S	\$2,230

Option	Description	Must Pick	Required	Conflict	Model	Price (USD)
DAG	Exterior Package Painted Front air intakes (right/left) air inlets in rear quarter panel.			DAE	Boxster	\$1,240
					Boxster S	\$1,240
Custom Tailoring and Deviations - Black						
CMD	Rear Center Console Pntd.Black				Boxster	\$1,130
					Boxster S	\$1,130
CMF	PCM Package Painted Black Black finish: PCM trim (4.0b), climate control trim (4.0c), lower switch trim (4.0d), lower storage bin (4.0e).	P16 P23		CCP CUR CUF A1	Boxster	\$2,230
					Boxster S	\$2,230
CMJ	Gear Lever/Selector Trim Black Decorative trim on gear lever/ selector (4.2).			CDF CDJ A1	Boxster	\$290
					Boxster S	\$290
CMK	Door Opener Trim Painted Black (3.2c)			CET XTL XTT XTU XTV XTW	Boxster	\$780
					Boxster S	\$780
CML	PCM Handset Painted Black Black paint finish upper section. Leather finish interior color: lower section, including support (three part).	668		CCR CFC CFH CED CER A1	Boxster	\$540
					Boxster S	\$540
CMM	Trim Strip Painted Black (2.3)			801 802 803 A1 CDE CDM CVP	Boxster	\$520
					Boxster S	\$520
CMN	Air Vent Slats Painted Black Side air vent slats (2.5b), central air vent slats (2.6b), Leather finish interior color: side air vents (2.5a), central air vents including switch trim (2.6a).			CDA CDN A1	Boxster	\$1,190
					Boxster S	\$1,190
CMP	Instrument Surround Pntd.Black (2.0d)			A1 CDP EBE XCL XNG	Boxster	\$440
					Boxster S	\$440
Custom Tailoring and Deviations - Other						
09991	All Excl.Opt Stitch Dev Color				Boxster	\$290
					Boxster S	\$290

Option	Description	Must Pick	Required	Conflict	Model	Price (USD)
25071	Carpet in Deviating Color				Boxster	\$630
					Boxster S	\$630
25081	Seat Stitching In Dev. Color	AT DF FE JX MB		970	Boxster	\$550
		RA TG 05 06 99			Boxster S	\$550
		AP DD FC JV				
25101	Dashboard Stitching De. Color	AT DF FE JX MB		970	Boxster	\$240
		RA TG 05 06 99			Boxster S	\$240
25102	Door Handle Stitch Dev. Color	AT DF FE JX MB		XTT XTU XTL XTW	Boxster	\$390
		RA TG 05 06 99		970	Boxster S	\$390
25103	Door Stitching Dev. Color	AT DF FE JX MB		970	Boxster	\$160
		RA TG 05 06 99			Boxster S	\$160
25104	Cntr Cnsl Side Stitch Dev.Clr	AT DF FE JX MB		970	Boxster	\$160
		RA TG 05 06 99			Boxster S	\$160
25301	Upper Dash in Deviating Color Order without sport chrono package.	AT DF FE JX TG		639 640 970	Boxster	\$470
		MB RA 06 05		25741	Boxster S	\$470
25341	Leather Seat Inlays Dev.Color	AT DF FE JX TG		970 25801	Boxster	\$550
		MB RA 06 05			Boxster S	\$550
25741	Uper Dash Dev.Color Spt Chrono Order with sport chrono package.	AT DF FE JX TG		970 25301	Boxster	\$550
		MB RA 06 05			Boxster S	\$550
25801	Seat Inlays Alcant. Dev. Color	AT DF FE JX TG		970 P77 P78 P01	Boxster	\$550
		MB RA 06 05		P01L 25341	Boxster S	\$550
25831	Lower Dash in Deviating Color	AT DF FE JX TG		970	Boxster	\$310
		MB RA 06 05			Boxster S	\$310
CXB	Door Entry Grds Stl Steel Illu			CXD X69 X70	Boxster	\$780
					Boxster S	\$780

Option	Description	Must Pick	Required	Conflict	Model	Price (USD)
Exterior Cosmetic						
498	Delete Model Designation				Boxster	\$0
					Boxster S	\$0
XLA	Chrome Exhaust Pipe Dual exhaust pipe in chrome-plated stainless steel.				Boxster	\$340
					Boxster S	\$340
Additional Options						
TD4	Tourist Delivery		900		Boxster	\$1,150
					Boxster S	\$1,150