

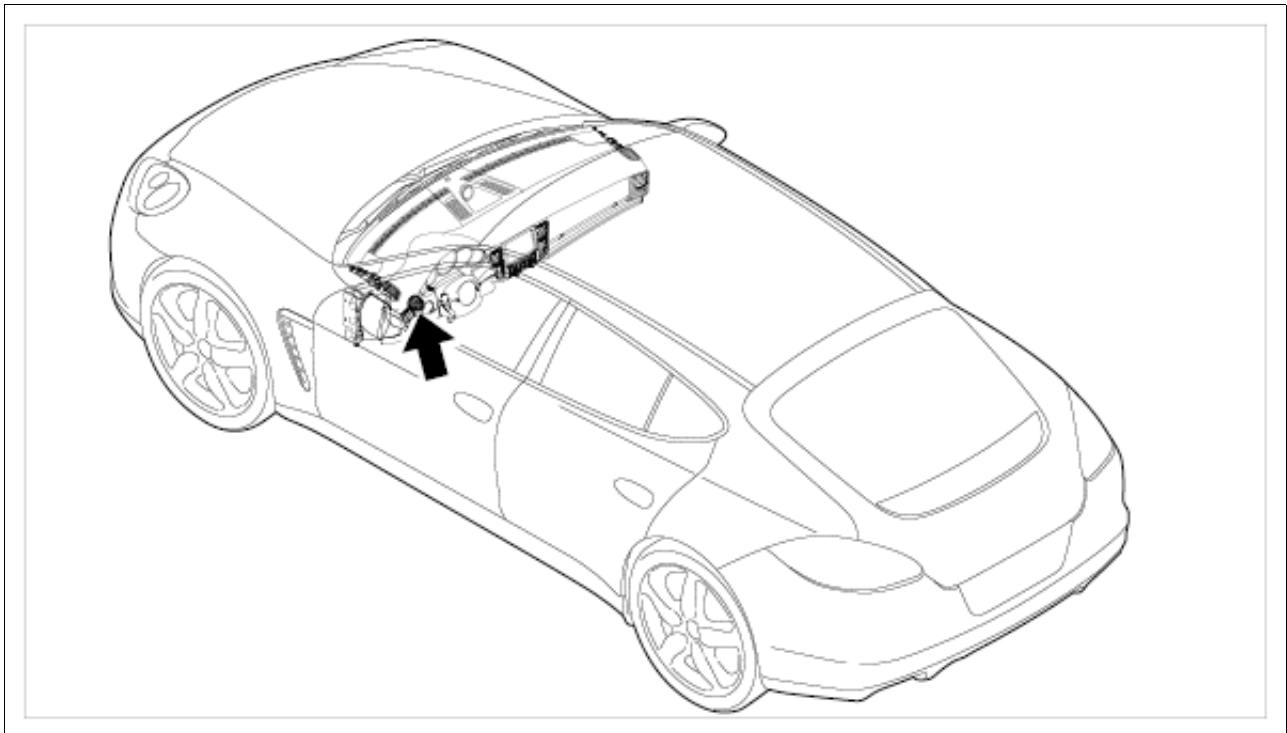
Service Manual: 94 - LIGHTS, LAMPS, SWITCHES, EXTERIOR -- PANAMERA (970)

**WM 940519 REMOVING AND INSTALLING MAIN LIGHT SWITCH (EXCEPT PANAMERA S EXECUTIVE, PANAMERA TURBO EXECUTIVE, PANAMERA GTS) > PRELIMINARY WORK**

1. Remove molding for left instrument panel. → REMOVING DASHBOARD MOLDING

**WM 940519 REMOVING AND INSTALLING MAIN LIGHT SWITCH (EXCEPT PANAMERA S EXECUTIVE, PANAMERA TURBO EXECUTIVE, PANAMERA GTS) > REMOVING MAIN LIGHT SWITCH**

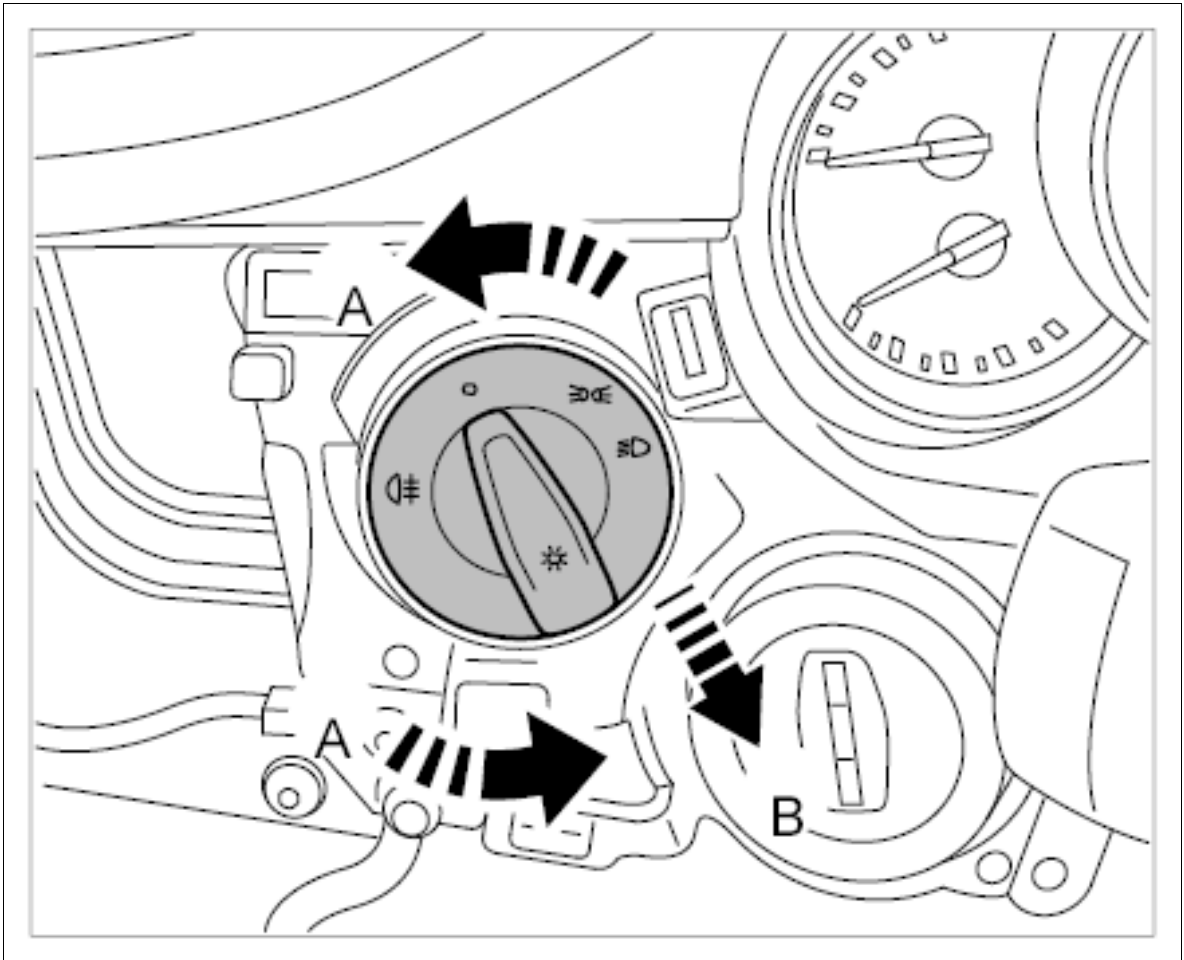
Fig 1: Locating Main Light Switch



Courtesy of PORSCHE CARS NORTH AMERICA, INC.

1. Switch off ignition and remove remote control.
2. Release the main light switch by turning it **-A-** and then remove it **-B-** .

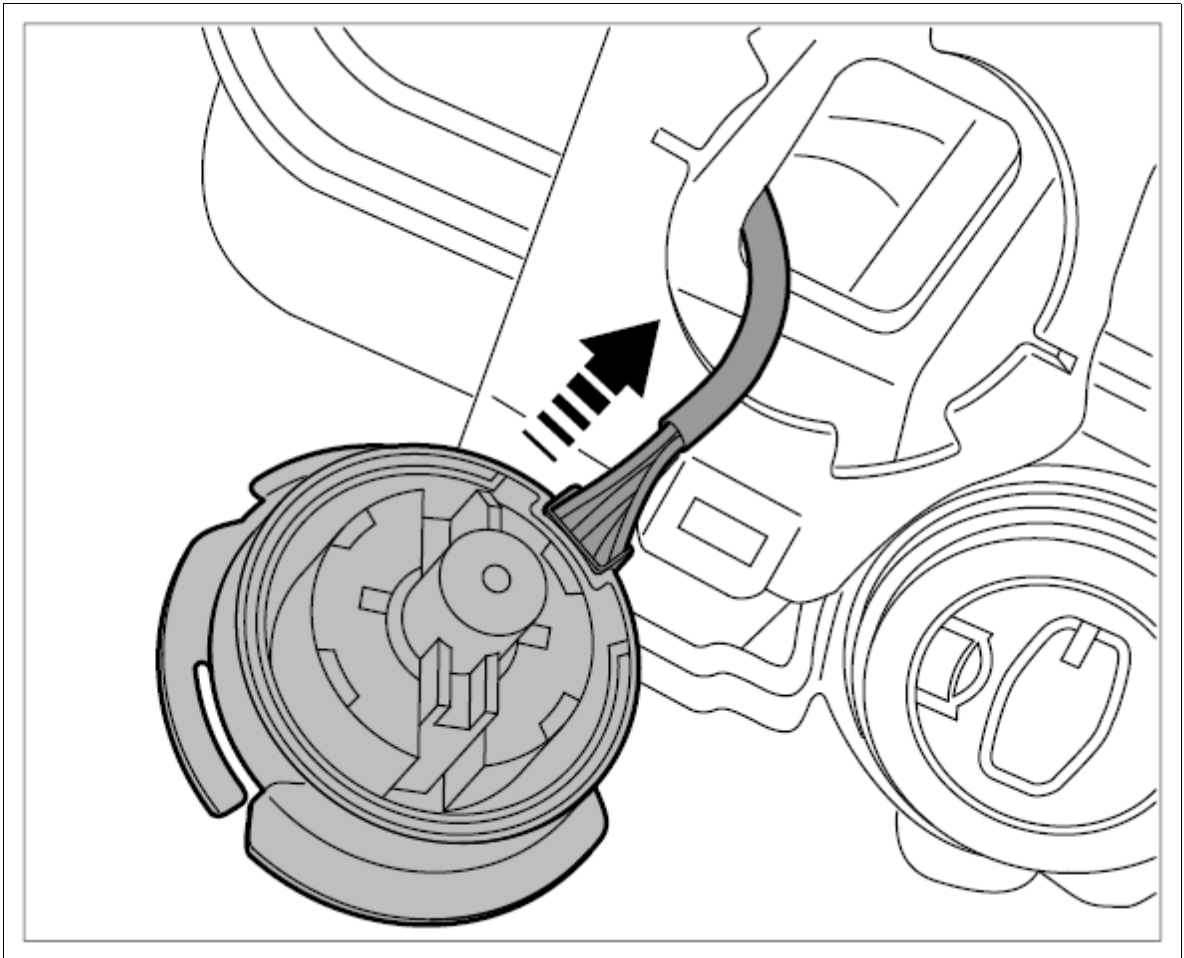
Fig 2: Removing Main Light Switch



Courtesy of PORSCHE CARS NORTH AMERICA, INC.

3. Disconnect plug connection for main light switch.

Fig 3: Disconnecting Main Light Switch Plug Connection

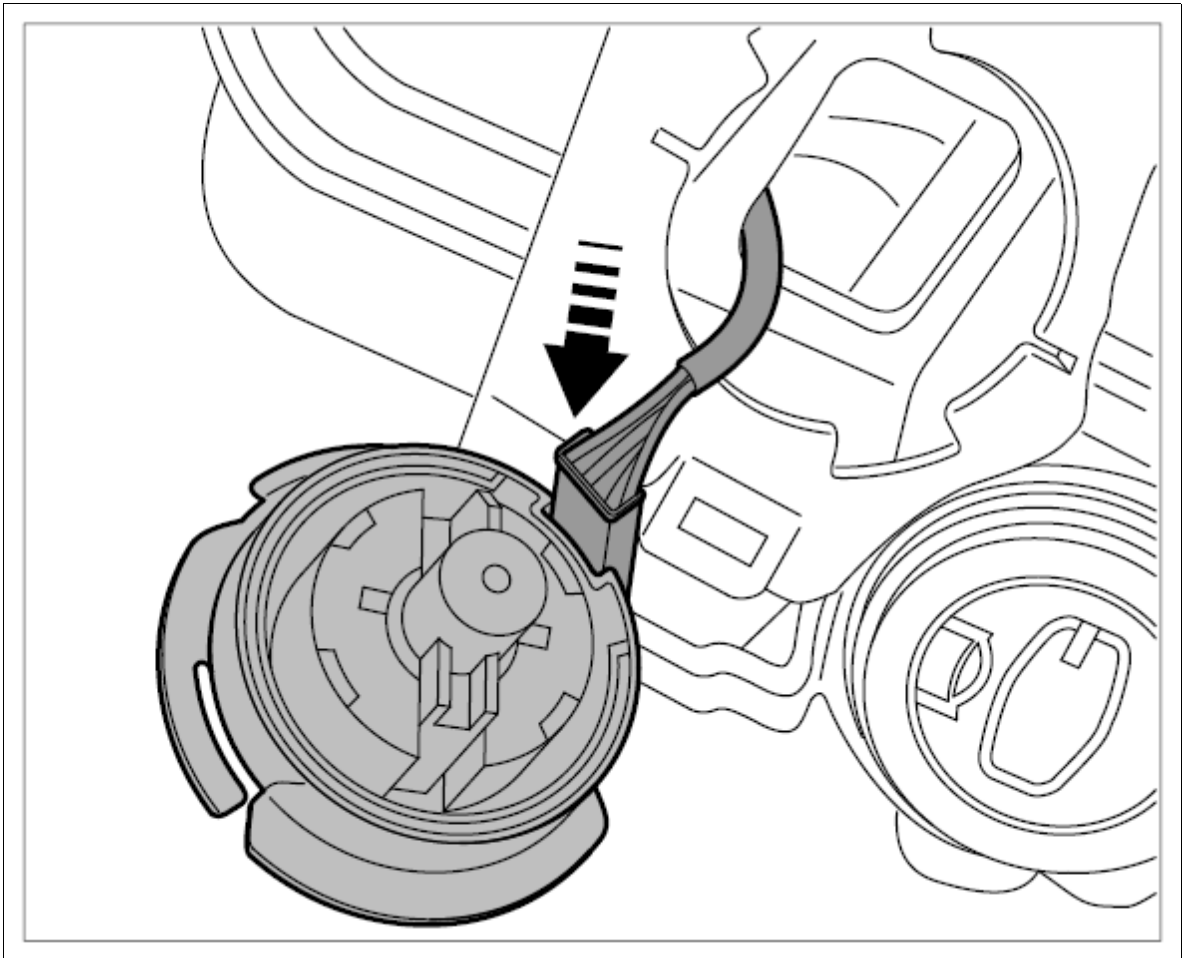


Courtesy of PORSCHE CARS NORTH AMERICA, INC.

**WM 940519 REMOVING AND INSTALLING MAIN LIGHT SWITCH (EXCEPT PANAMERA S EXECUTIVE, PANAMERA TURBO EXECUTIVE, PANAMERA GTS) > INSTALLING MAIN LIGHT SWITCH**

1. Connect plug connection.

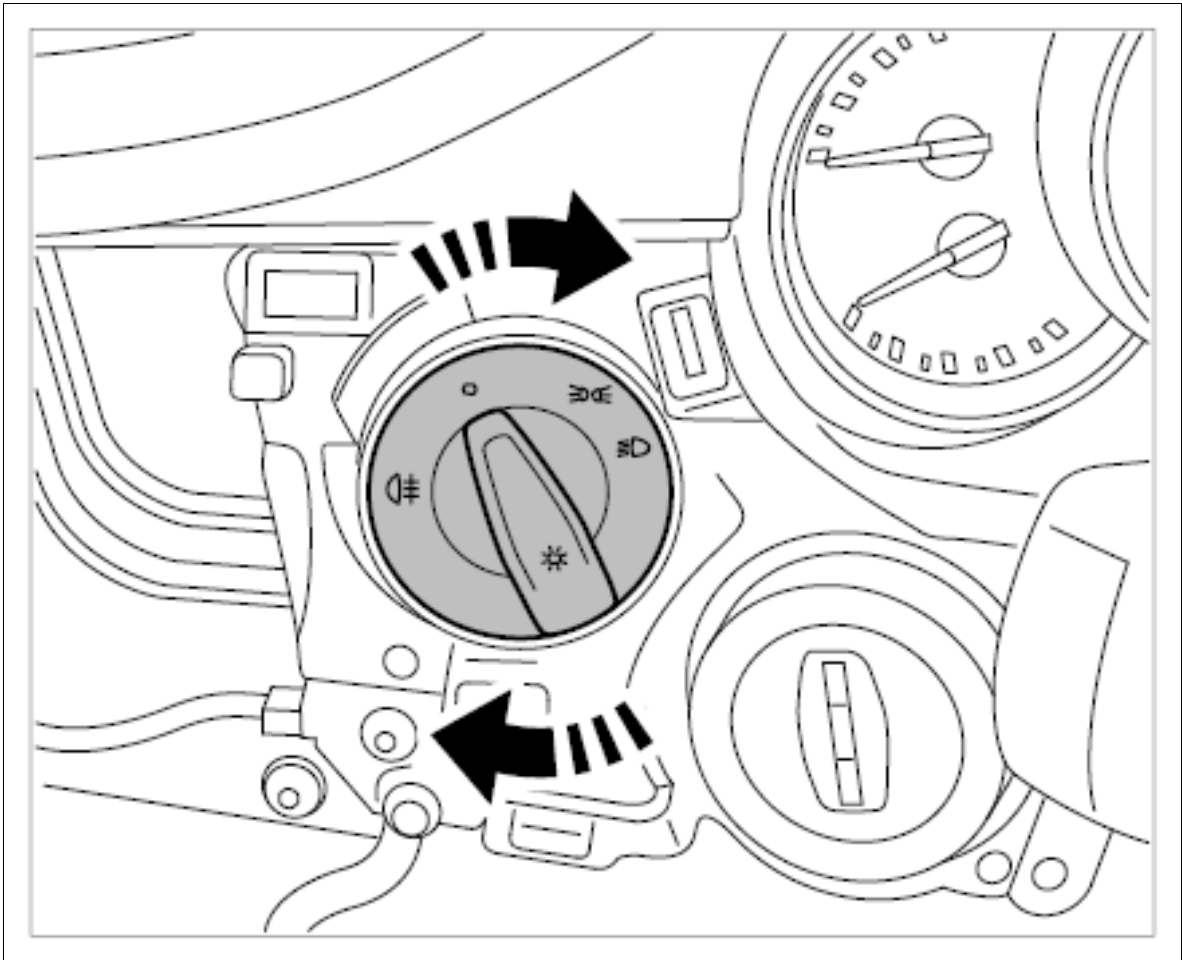
Fig 1: Connecting Main Light Switch Plug Connection



Courtesy of PORSCHE CARS NORTH AMERICA, INC.

2. Check that the plug connection is seated securely.
3. Insert main light switch into the cut-out and lock it by turning it.

Fig 2: Installing Main Light Switch



Courtesy of PORSCHE CARS NORTH AMERICA, INC.

4. Perform a function test.

**WM 940519 REMOVING AND INSTALLING MAIN LIGHT SWITCH (EXCEPT PANAMERA S EXECUTIVE, PANAMERA TURBO EXECUTIVE, PANAMERA GTS) > SUBSEQUENT WORK**

1. Install molding for left instrument panel. → INSTALLING DASHBOARD MOLDING

**WM 941019 REMOVING AND INSTALLING DOOR MIRROR LIGHT (EXCEPT PANAMERA S EXECUTIVE, PANAMERA EXECUTIVE, PANAMERA 4 S EXECUTIVE, PANAMERA TURBO EXECUTIVE, PANAMERA TURBO S, PANAMERA TURBO S EXECUTIVE, PANAMERA 4S SPORT EDITION, PANAMERA 4 EXECUTIVE) > REMOVING AND INSTALLING > REMOVING EXTERIOR MIRROR LIGHT**

1. Loosen fastening screw -1- on the lower exterior mirror trim panel.