


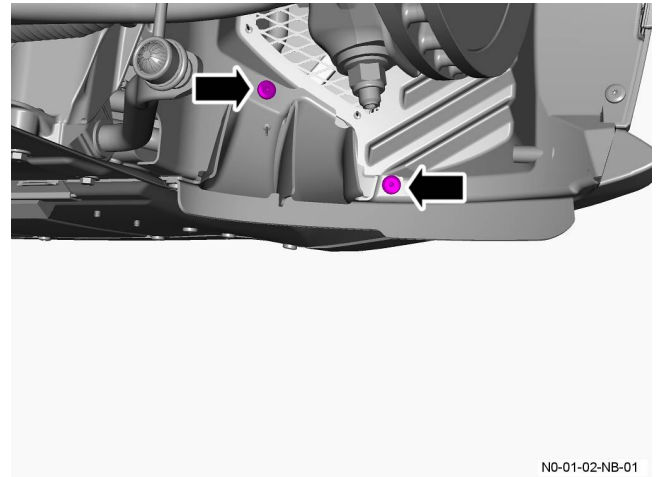


## 01.02.NB Front Undertray (Remove and Install New Part)

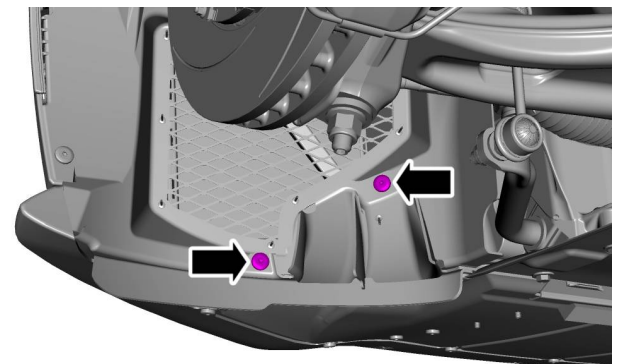
- ⊕  WSM Data
- ⊕  Included Procedures
- ⊕  Is Used In

### Removal

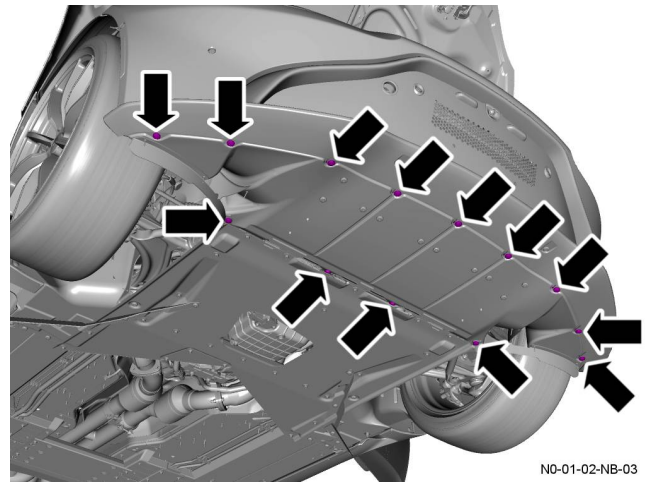
1. Remove the front wheels (04.04.ED - Wheels and Tyres - Two).  
[Open Workshop Manual Procedure]
2. Remove the two bolts that attach the left side undertray to the left side front wheel arch liner.



3. Remove the two bolts that attach the right side undertray to the right side front wheel arch liner.

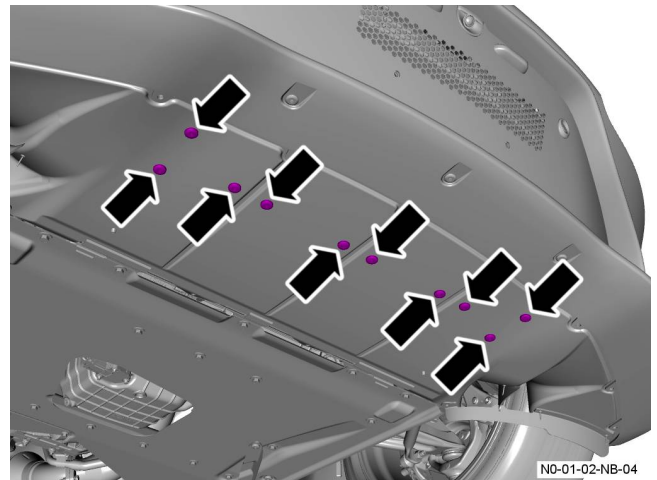


4. Remove the 13 bolts that attach the front undertray to the body.



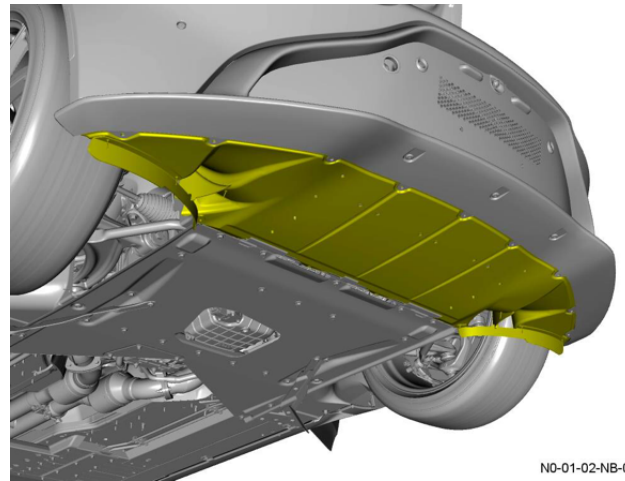
N0-01-02-NB-03

5. Remove the 10 bolts that attach the front undertray to the body.




N0-01-02-NB-04

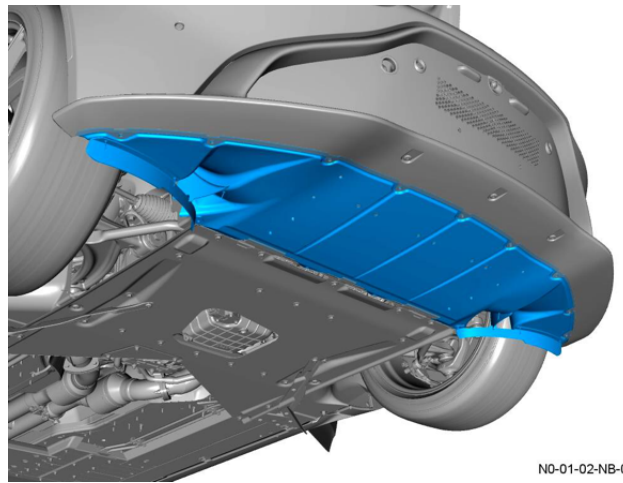
6. Move the front undertray to release it from the radiator support panel.



N0-01-02-NB-05

7.  **Warning: You must have the aid of one more person to do the step that follows. This will help to prevent injuries to personnel and damage to the equipment.**

Remove the front undertray.



N0-01-02-NB-06

---

### *Install*

1. Installation is the opposite of the removal sequence.

Published date: 2017-11-10 Procedure last changed: 2018-08-21 14:25:11