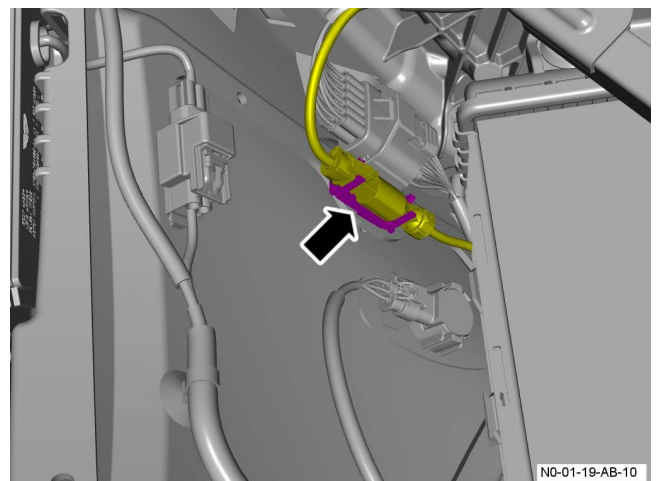


## 01.19.AB Front Bumper Cover (Remove for Access and Install)

- ▣ WSM Data
- ▣ Included Procedures
- ▣ Is Used In

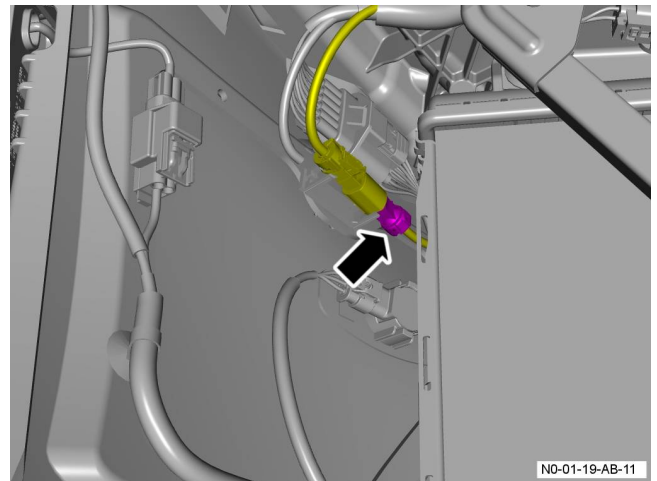
### *Remove for Access*

1. Remove the front undertray (01.02.NB - Front Undertray).  
[Open Workshop Manual Procedure]
2. Remove the Right Side Headlamp Assembly (17.01.AB - Right Side Headlamp Assembly).  
[Open Workshop Manual Procedure]
3. Remove the Left Side Headlamp Assembly (17.01.BB - Left Side Headlamp Assembly).  
[Open Workshop Manual Procedure]
4. Release the front bumper harness connectors from the clip.

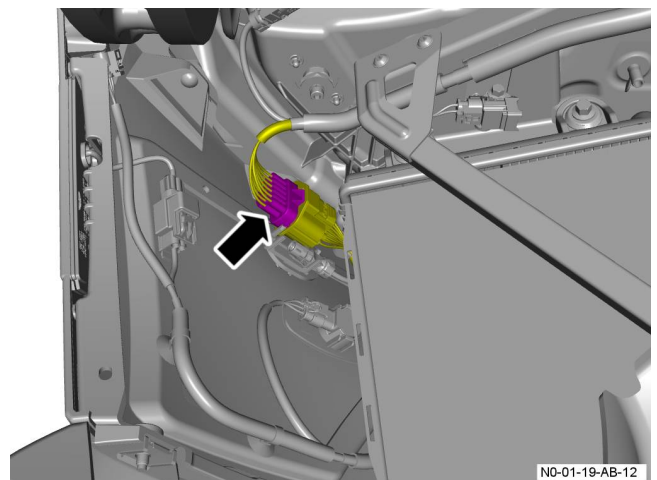


5. Disconnect the electrical

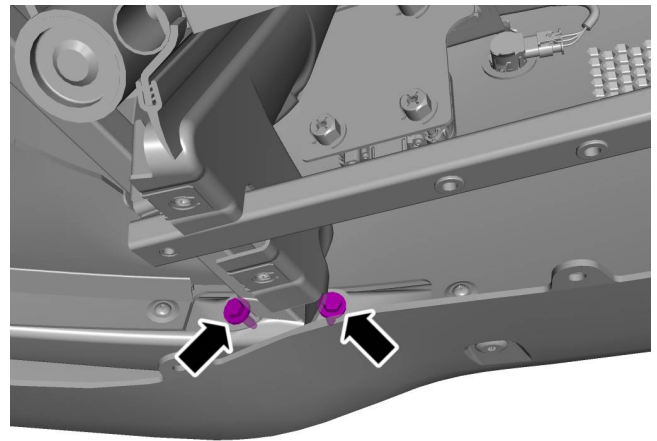
connector for the Parking Assistance Camera from the forward harness.



6. Disconnect the electrical connector for the front bumper harness from the forward harness.

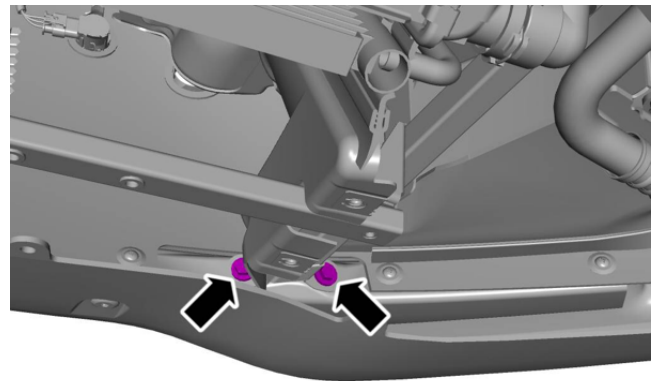


7. Remove the two bolts that attach the lower front splitter to the Lower splitter support bracket.
  - For installation: Torque the two bolts to **9 Nm**.




N0-01-19-AB-13

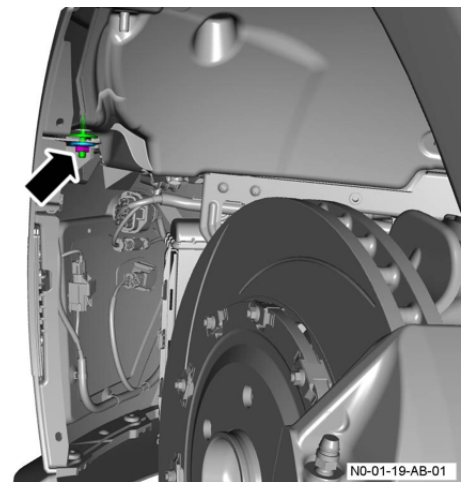
8. Remove the two bolts that attach the lower front splitter to the Lower splitter support bracket.
  - ▶ For installation: Torque the two bolts to **9 Nm**.



N0-01-19-AB-14

9.  *Note: To keep the correct front bumper cover adjustment do not rotate the double stud adjuster during the following step.*

Remove the nut that attaches the front bumper cover to the double stud adjuster and collect the washer.

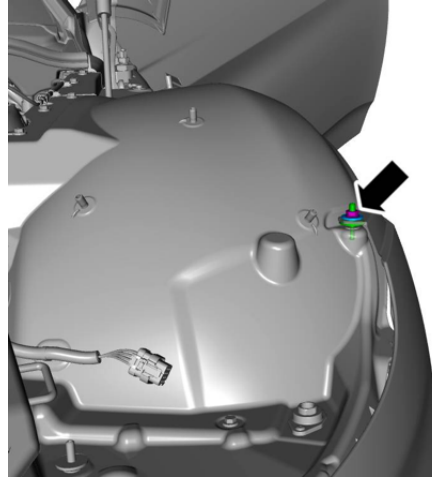


N0-01-19-AB-01

10.  *Note: To keep the correct front bumper cover*

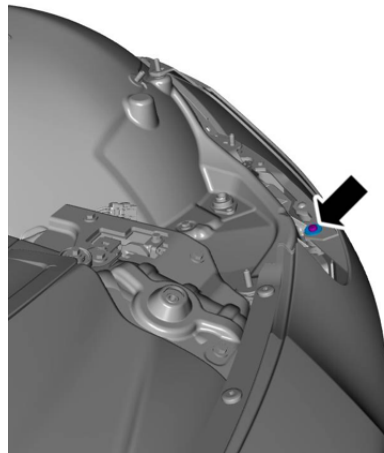
*adjustment do not rotate the double stud adjuster during the following step.*

Remove the nut that attaches the front bumper cover to the double stud adjuster and collect the washer.




N0-01-19-AB-02

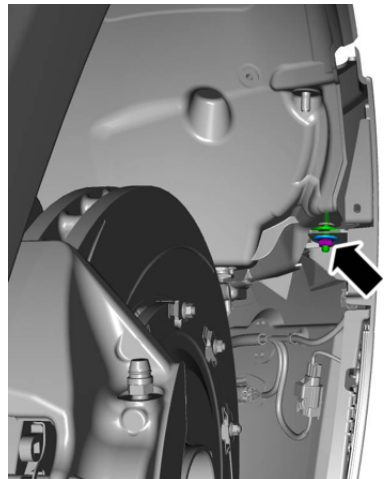
11. Remove the bolt that attaches the front bumper cover to the body and collect the washer.




N0-01-19-AB-03

12.  *Note: To keep the correct front bumper cover adjustment do not rotate the double stud adjuster during the following step.*

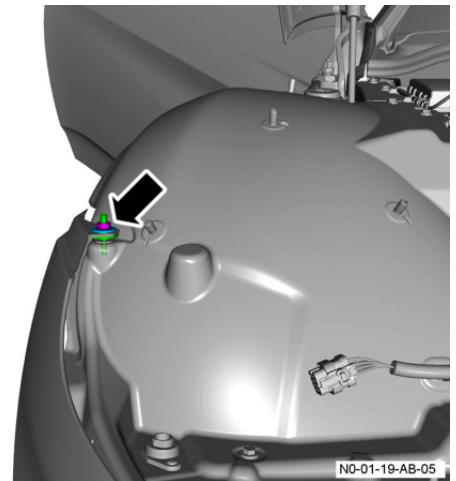
Remove the nut that attaches the front bumper cover to the double stud adjuster and collect the washer.



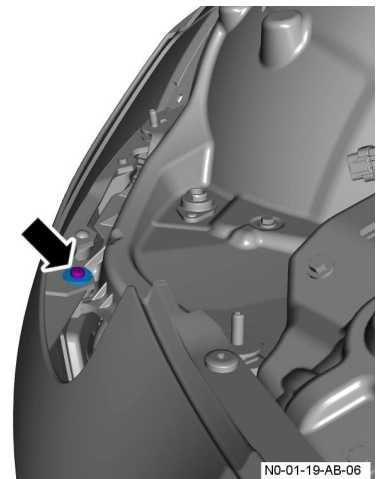
N0-01-19-AB-04

13.  *Note: To keep the correct front bumper cover adjustment do not rotate the double stud adjuster during the following step.*

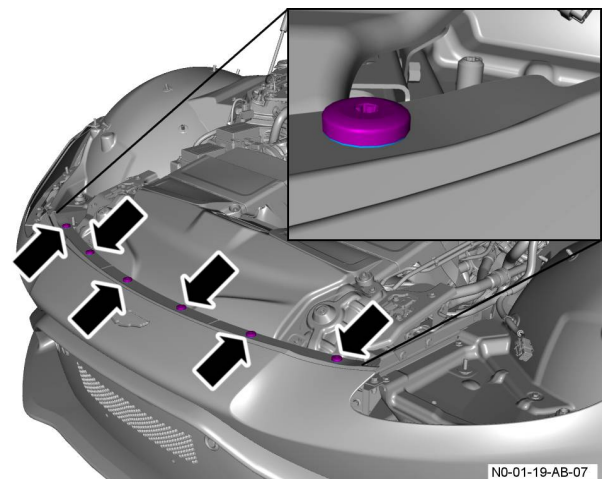
Remove the nut that attaches the front bumper cover to the double stud adjuster and collect the washer.



14. Remove the bolt that attaches the front bumper cover to the body and collect the washer.



15. Remove the six bolts that attach the front bumper cover to the body and collect the washers.



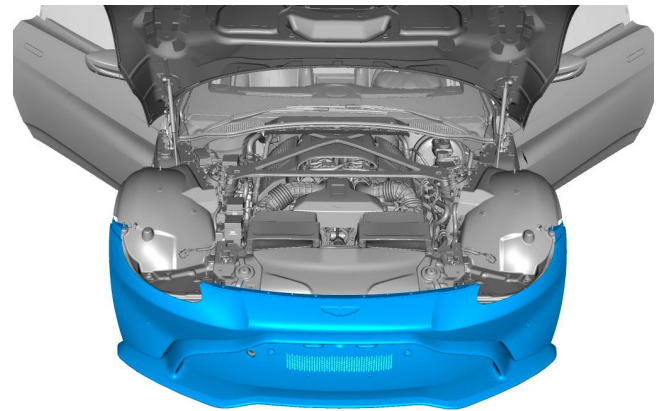
16. Release the front bumper

cover from the body.



N0-01-19-AB-08

17. Remove the front bumper cover.



N0-01-19-AB-09

---

## *Install*

1. Installation is the opposite of the removal sequence.