

PORSCHE

Cayman

US \$50,300

Model Year 2009 Standard Equipment includes:

Engine

265 hp, 221 lb ft torque - 2.9 liter horizontally opposed 6 cylinder, aluminum alloy engine block & cylinder heads, mid-mounted engine. Integrated dry sump lubrication system with oil cooler. DOHC, 4 valves per cylinder, "VarioCam Plus" continuously variable inlet valve timing and lift. Multi stage resonance induction intake manifold. Cylinder specific knock control. Stainless steel exhaust system with central tail pipe.

Power Transmission

6-speed Manual Transmission with double inertia flywheel. Hydraulic clutch actuation.

Chassis and Suspension

7"x17" pressure cast Cayman II wheels, 205/55ZR17 summer high performance tires - Front. 8.5"x17" pressure cast Cayman II wheels, 235/50ZR17 summer high performance tires - Rear. Includes anti-theft device. TPMS – Tire Pressure Monitoring System. Puncture sealing compound and electric compressor. Power assisted steering with variable ratio. McPherson strut suspension with front and rear stabilizer bars. PSM – (Porsche Stability Management), with ABS (Anti lock Braking System), ASR (Anti Slip Regulation), ABD (Automatic Brake Differential) and EDTC (Engine Drag Torque Control).

Braking System

12.5" vented and perforated rotors w/ 4 piston monobloc black calipers – front, 11.8" vented and perforated rotors w/ 4 piston monobloc black calipers – rear. ABS 8.0 – Anti Lock Braking System, brake pad wear indicators, hand operated parking brake.

Body

Two seat Coupe, body shell hot dip galvanized on both sides. Front luggage compartment lid in aluminum. Front air dam intakes in black. Front spoiler lower edge in black. Air intakes in side section in exterior color. Wide opening hatchback with heated glass. Preparation for roof-rack system installation. Door windows with water repellent coating. Automatically extendable rear spoiler. Rear logotype in Titanium color. Full underbody paneling. 16.9 gallon fuel tank.

Lighting System

H7 Halogen headlights with welcome home function. Front and rear fog lamps. LED position lights, taillights, brake lights, and rear driver's fog light. Uniform lighting concept in white for entire interior, continuously variable dimming. Foot well lighting.

Electrical Equipment

On board computer w/ digital continuous indication of total mileage, trip mileage, time, outside temp and speed. Gauges for RPM's, speed, oil pressure, oil temperature, coolant temp and fuel level, w/ black dials. Electronic oil level measurement. Power windows with tip up/tip down and anti-jamming. Dual speed wiper system with wiper delay control, heated washer nozzles. Remote central locking w/ luggage compartment release, front & rear. Anti theft system including passenger compartment monitoring. Homelink door opener, cruise control, 2 power sockets, CDR-30 AM/FM/CD radio 2x25 watt, 4 loudspeakers.

Passive Safety Equipment

Fully galvanized high strength steel body w/ front & rear deformation zones. 3 point seat belts w/ pre-tensioners and force limiters. 2 stage driver/passenger airbags. Porsche Side Impact Protection System (POSIP) consisting of side impact protection elements in each door, thorax side airbags integrated in side of each front seat backrest, head airbags located in door trim. Preparation for child seat anchorage (ISOFIX) on passenger side w/ switch for airbag deactivation.

Interior Equipment

Driver and passenger seat with electrical backrest adjustment and manual horizontal and height adjustment. 3 spoke steering wheel w/ manual reach and height adjustment. Steering wheel rim, gear selector, hand brake grip, armrests in the door panels trimmed in leather. Decorative stitching in light contrast color. Roof liner in Black, Volcano Gray and Sand Beige, matching to interior color. Climate control with integrated carbon filter. Two cup holders in front. Storage boxes beside engine cover. Storage shelf with net on engine lid. 4 load securing eyes in rear luggage compartment. Door entry guards with "Cayman" logotype. Illuminated vanity mirror, driver and passenger. Interior trim in aluminum look paint finish.

Porsche Cars North America – United States Order Guide – 2009 Model Year
Options, Prices, content, and availability are subject to change without notice.

PORSCHE

Cayman S

US \$60,200

Model Year 2009 Standard Equipment includes:

Engine

320 hp, 273 lb ft torque - 3.4 liter horizontally opposed 6 cylinder, aluminum alloy engine block & cylinder heads, mid-mounted engine. Integrated dry sump lubrication system with oil cooler. DOHC, 4 valves per cylinder, "VarioCam Plus" continuously variable inlet valve timing and lift. Multi stage resonance induction intake manifold. Cylinder specific knock control. Stainless steel exhaust system with central twin tail pipe.

Power Transmission

6-speed Manual Transmission with double inertia flywheel. Hydraulic clutch actuation.

Chassis and Suspension

8"x18" pressure cast Cayman S II wheels, 235/40ZR18 summer high performance tires - Front. 9"x18" pressure cast Cayman II wheels, 265/40ZR18 summer high performance tires - Rear. Includes anti-theft device. TPMS – Tire Pressure Monitoring System. Puncture sealing compound and electric compressor. Power assisted steering with variable ratio. McPherson strut suspension with front and rear stabilizer bars. PSM – (Porsche Stability Management), with ABS (Anti lock Braking System), ASR (Anti Slip Regulation), ABD (Automatic Brake Differential) and EDTC (Engine Drag Torque Control).

Braking System

12.5" vented and perforated rotors w/ 4 piston monobloc red calipers – front, 11.8" vented and perforated rotors w/ 4 piston monobloc black calipers – rear. ABS 8.0 – Anti Lock Braking System, brake pad wear indicators, hand operated parking brake.

Body

Two seat Coupe, body shell hot dip galvanized on both sides. Front luggage compartment lid in aluminum. Front air dam intakes in black. Front spoiler lower edge in exterior color. Air intakes in side section in exterior color. Wide opening hatchback with heated glass. Preparation for roof-rack system installation. Door windows with water repellent coating. Automatically extendable rear spoiler. Rear logotype in Titanium color. Full underbody paneling. 16.9 gallon fuel tank.

Lighting System

H7 Halogen headlights with welcome home function. Front and rear fog lamps. LED position lights, taillights, brake lights, and rear driver's fog light. Uniform lighting concept in white for entire interior, continuously variable dimming. Foot well lighting.

Electrical Equipment

On board computer w/ digital continuous indication of total mileage, trip mileage, time, outside temp and speed. Gauges for RPM's, speed, oil pressure, oil temperature, coolant temp and fuel level, w/ aluminum dials. Electronic oil level measurement. Power windows with tip up/tip down and anti-jamming. Dual speed wiper system with wiper delay control, heated washer nozzles. Remote central locking w/ luggage compartment release, front & rear. Anti theft system including passenger compartment monitoring. Homelink door opener, cruise control, 2 power sockets, CDR-30 AM/FM/CD radio with sound package plus, 235 watt, 9 loudspeakers.

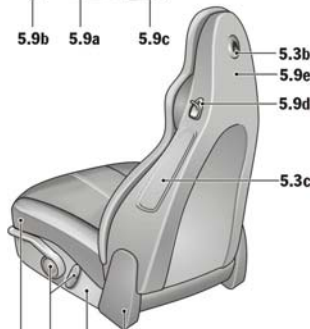
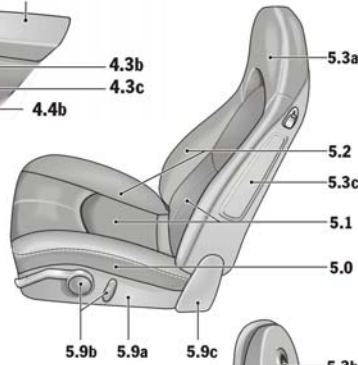
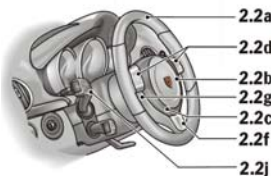
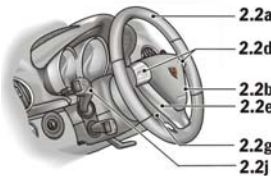
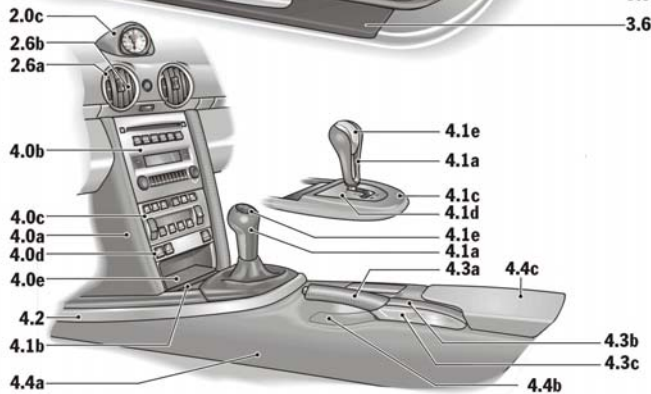
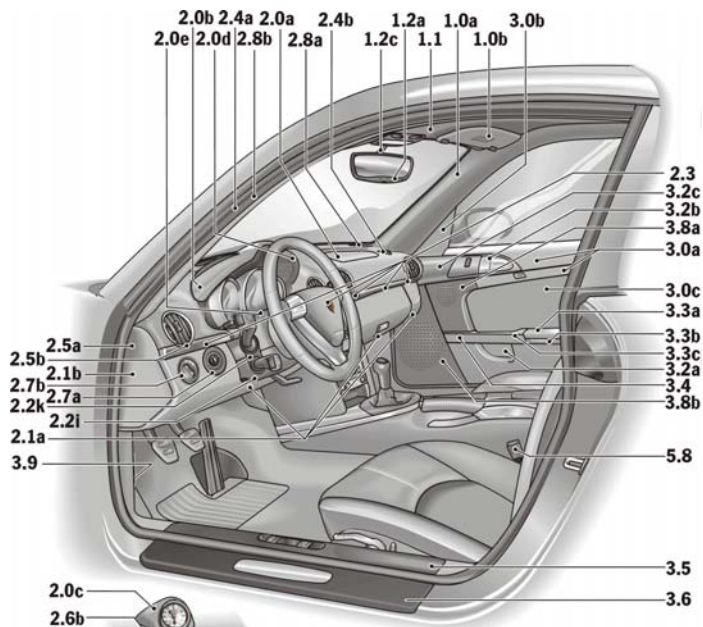
Passive Safety Equipment

Fully galvanized high strength steel body w/ front & rear deformation zones. 3 point seat belts w/ pre-tensioners and force limiters. 2 stage driver/passenger airbags. Porsche Side Impact Protection System (POSIP) consisting of side impact protection elements in each door, thorax side airbags integrated in side of each front seat backrest, head airbags located in door trim. Preparation for child seat anchorage (ISOFIX) on passenger side w/ switch for airbag deactivation.

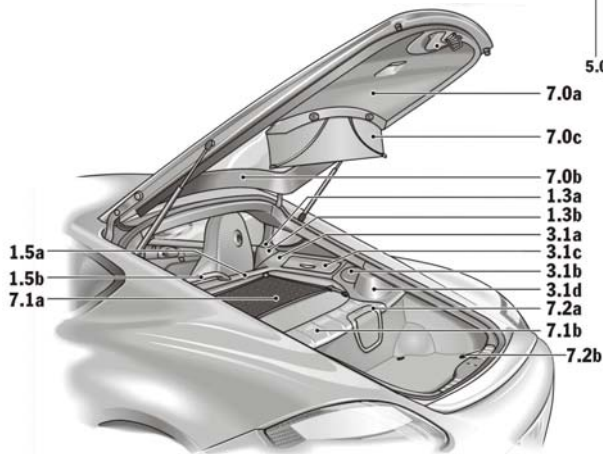
Interior Equipment

Driver and passenger seat with electrical backrest adjustment and manual horizontal and height adjustment. 3 spoke steering wheel w/ manual reach and height adjustment. Steering wheel rim, gear selector, hand brake grip, armrests in the door panels trimmed in leather. Decorative stitching in light contrast color. Roof liner in Black, Volcano Gray and Sand Beige, matching to interior color. Climate control with integrated carbon filter. Two cup holders in front. Storage boxes beside engine cover. Storage shelf with net on engine lid. 4 load securing eyes in rear luggage compartment. Door entry guards with "Cayman S" logotype. Illuminated vanity mirror, driver and passenger. Interior trim in aluminum look paint finish.

Porsche Cars North America – United States Order Guide – 2009 Model Year
Options, Prices, content, and availability are subject to change without notice.



5.05.9b 5.9a 5.9c



1.0a	A-pillar trim
1.0b	Sun visors
1.1	Interior light surround
1.2a	Rear view mirror frame
1.2b	Rear view mirror casing
1.2c	Rear view mirror mounting
1.3a	B-pillar trim
1.3b	Belt outlets on B-pillar
1.5a	Rear panel trim
1.5b	Luggage stop bar
2.0a	Switch panel (upper section) incl. airbag cover
2.0b	Instrument cover
2.0c	Timer cover
2.0d	Instrument surround
2.0e	Instrument surround lower section
2.1a	Switch panel (lower section) incl. glove compartment, three-part
2.1b	Switch panel end trim
2.2a	Steering wheel rim
2.2b	Airbag module
2.2c	Airbag module surround on three-spoke sports steering wheel
2.2d	Tiptronic S switches (left/right) or spoke trim (left/right)
2.2e	"Y" trim on standard steering wheel
2.2f	Lower spoke trim on three-spoke sports steering wheel
2.2g	Steering wheel hub cover
2.2h	Steering wheel adjustment collar
2.2i	Steering column casing (three-part) with hands-free microphone
2.2j	Control stalks
2.2k	Control stalk trim
2.3	Trim strip switch panel incl. cupholder trim, five-part
2.4a	Defroster trim
2.4b	Defroster air vent
2.5a	Side air vent surround
2.5b	Side air vent slats
2.6a	Central air vent surround
2.6b	Central air vent slats
2.7a	Ignition lock surround
2.7b	Light switch surround
2.8a	Loudspeaker finishers (treble) on switch panel (left/right)
2.8b	Loudspeaker finisher on switch panel (centre)
3.0a	Door trim incl. Head-Airbag cover
3.0b	Mirror attachment point finishers incl. mirror controls and base plate
3.0c	Door panel
3.1a	Side trim, rear engine cover
3.1b	Loudspeaker finishers at rear
3.1c	Lid of storage bin at rear
3.1d	Suspension-strut cover
3.2a	Front of door handle
3.2b	Door opener
3.2c	Door opener trim
3.3a	Lid of door storage bin
3.3b	Door storage bin surround
3.3c	Lid extension on door storage bin
3.5	Inner sill finisher
3.6	Door entry guard
3.8a	Loudspeaker finishers (mid-tone) incl. seat memory trim (driver's side)
3.8b	Loudspeaker finishers (bass)
3.9	Fuse box trim
4.0a	Centre console side trim, front
4.0b	Radio or PCM trim
4.0c	Climate control trim
4.0d	Lower switch trim
4.0e	Lower storage bin
4.1a	Gear lever or Tiptronic gear selector
4.1b	Gear lever trim
4.1c	Tiptronic gear selector gate surround
4.1d	Tiptronic gear selector gate
4.1e	Decorative trim on shift pattern or release of Tiptronic gear selector
4.2	Decorative trim on gear lever/selector
4.3a	Handbrake lever
4.3b	Handbrake finisher (upper section)
4.3c	Handbrake finisher (lower section)
4.4a	Rear section of centre console incl. ashtray cover
4.4b	Handbrake lever recess trim
4.4c	Lid of storage bin in rear section of centre console
5.0	Seat base
5.1	Seat centre
5.2	Lateral supports
5.3a	Integrated head restraints
5.3b	Clothes hook seat backrest
5.3c	Thorax airbag cover
5.8	Belt buckles
5.9a	Seat controls trim
5.9b	Seat controls
5.9c	Hinge cover
5.9d	Release lever surround
5.9e	Sports seat backrest
7.0a	Roof lining rear lid
7.0b	Roof lining rear lid surround
7.0c	Storage compartment cover
7.0d	Closing handle on rear lid
7.1a	Engine cover with safety net
7.1b	Luggage compartment trim
7.2a	Service module cover
7.2b	Rear light cover

Cayman S

Revision
14.09.2005
VKI, MW

Order Guide

Option	Description	Must Pick	Required	Conflict	Model	Price (USD)
Standard Paint						
A1	Black				Cayman	\$0
					Cayman S	\$0
B4	Carrara White				Cayman	\$0
					Cayman S	\$0
G1	Guards Red				Cayman	\$0
					Cayman S	\$0
X4	Speed Yellow				Cayman	\$0
					Cayman S	\$0
Optional Metallic Paint						
9Q	Meteor Grey Metallic				Cayman	\$710
					Cayman S	\$710
9S	Macadamia Metallic				Cayman	\$710
					Cayman S	\$710
D2	Aqua Blue Metallic				Cayman	\$710
					Cayman S	\$710
E9	Midnight Blue Metallic				Cayman	\$710
					Cayman S	\$710
J1	Porsche Racing Green Metallic				Cayman	\$710
					Cayman S	\$710
L2	Ruby Red Metallic				Cayman	\$710
					Cayman S	\$710
X1	Arctic Silver Metallic				Cayman	\$710
					Cayman S	\$710
Z4	Basalt Black Metallic				Cayman	\$710
					Cayman S	\$710

Option	Description	Must Pick	Required	Conflict	Model	Price (USD)
Special Paint						
8W	Nordic Gold Metallic				Cayman	\$3,140
					Cayman S	\$3,140
E7	Atlas Grey Metallic				Cayman	\$3,140
					Cayman S	\$3,140
H1	Malachite Green Metallic				Cayman	\$3,140
					Cayman S	\$3,140
T2	Cream White				Cayman	\$3,140
					Cayman S	\$3,140
U2	GT Silver Metallic				Cayman	\$3,140
					Cayman S	\$3,140
Paint to Sample						
98	Non-Metallic Paint to Sample This option usually results in a production delay of 3 to 6 months. Not all color requests can be fulfilled and Porsche may require the customer or dealership to supply a paint sample or paint code in order to conduct feasibility testing. The deadline for submission of Model Year 2009 Paint to Sample orders will be approximately February 01, 2009.		789 25041		Cayman	\$4,315
					Cayman S	\$4,315
99	Metallic Paint to Sample This option usually results in a production delay of 3 to 6 months. Not all color requests can be fulfilled and Porsche may require the customer or dealership to supply a paint sample or paint code in order to conduct feasibility testing. The deadline for submission of Model Year 2009 Paint to Sample orders will be approximately February 01, 2009.		789 25041		Cayman	\$4,315
					Cayman S	\$4,315
Standard Leather						
AN	Black Standard Leather Leather finish in black on seat center, lateral supports and head restraint.				P03 P77	\$0
					Cayman S	\$0
DC	Stone Grey Standard Leather Leather finish in Stone Grey on seat center, lateral supports and head restraint.				P01 P03 P77	\$0
					Cayman S	\$0
FB	Sea Blue Standard Leather Leather finish in Sea Blue on seat center, lateral supports and head restraint.				P01 P03 P77	\$0
					Cayman S	\$0
TD	Sand Beige Standard Leather Leather finish in sand beige on seat center, lateral supports and head restraint.				P01 P03 P77	\$0
					Cayman S	\$0

Option	Description	Must Pick	Required	Conflict	Model	Price (USD)
Leather for Sport Seats						
AP	Black Sport Seats Standard interior with sports seats leather - black	P01 P03 P77		P15	Cayman Cayman S	\$360 \$360
DD	Stone Grey Sport Seats Standard interior with sports seats leather - stone grey	P01 P03 P77		P15	Cayman Cayman S	\$360 \$360
FC	Sea Blue Sport Seats Standard interior with sports seats leather - sea blue	P01 P03 P77		P15	Cayman Cayman S	\$360 \$360
TE	Sand Beige Sport Seats Standard interior with sports seats leather - sand beige	P01 P03 P77		P15	Cayman Cayman S	\$360 \$360
P77	Leather Sport Seats Manual forward/back and height adjustment, electric back adjustment. Seatbacks in Volcano Grey.			AN DC FB TD P01 P03 P15 541 982	Cayman Cayman S	\$440 \$440
Full Leather						
AT	Black Full Leather				Cayman Cayman S	\$2,385 \$2,385
DF	Stone Grey Full Leather				Cayman Cayman S	\$2,385 \$2,385
FE	Sea Blue Full Leather				Cayman Cayman S	\$2,385 \$2,385
TG	Sand Beige Full Leather				Cayman Cayman S	\$2,385 \$2,385
Special Leather						
05	Dark Grey Natural Leather		998	970	Cayman Cayman S	\$3,895 \$3,895
06	Brown Natural Leather		998	970	Cayman Cayman S	\$3,895 \$3,895
07	Carrera Red Natural Leather		998	970	Cayman Cayman S	\$3,895 \$3,895

Option	Description	Must Pick	Required	Conflict	Model	Price (USD)
BG	Black/Stone Grey Interior Leather Black: Steering wheel rim, gear level or tiptronic gear selector, handbrake lever and door trim (upper part), dashboard upper section, instrument cover. Leather Stone Grey: Gear shift cover, handbrake finisher (upper section), lid of storage bin in rear section of center console, head airbag cover, switch panel (lower section), including glove compartment, center console, side trim front. Soft Paint Stone Grey: Rear part of center console, loudspeaker finisher on door, switch panel end trim, gear lever trim, step protection foil in stone grey. Seats: Black Leather with Grey inserts. Carpeting in Stone Grey.		970		Cayman	\$2,815
					Cayman S	\$2,815
MB	Special Leather Terracotta				Cayman	\$2,815
					Cayman S	\$2,815
RA	Special Leather Cocoa				Cayman	\$2,815
					Cayman S	\$2,815

Leather to Sample

99	Leather Interior to Sample This option usually results in a production delay of 3 to 6 months. An interior sketch is required. Not all leather requests can be fulfilled and Porsche may require the customer or dealership to supply a leather sample or previous interior code in order to conduct feasibility testing. The deadline for submission of Model Year 2009 Leather to Sample orders will be approximately February 01, 2009. Note: Loudspeaker grills (door and dash), steering wheel, and airbag cover in black. Steering wheel rim in black unless Exclusive options are ordered.		25051		Cayman	\$4,135
					Cayman S	\$4,135

Floormats

810	Floor Mats in Interior Color				Cayman	\$90
					Cayman S	\$90
CFX	Floor Mats With Colored Trim Set of four floor mats. Carpet in Black, Ocean Blue, Stone Grey, Sand Beige, Carrera Red, Terracotta, Cocoa or Natural Brown. Smooth leather surround in choice of color. Inlay on front floor mats in smooth leather in color of the leather surround with embossed Porsche logo. Note: smooth leather available in standard and special colors.			CJX 810	Cayman	\$425
					Cayman S	\$425

Option	Description	Must Pick	Required	Conflict	Model	Price (USD)
CJX	Floor Mats with Leather Surround Set of two floor mats. Carpet in Black, Ocean Blue, Stone Grey, Sand Beige, Carrera Red, Terracotta, Cocoa or Natural Brown. Smooth leather surround including double stitching in color of carpet. Inlay on front floor mats in smooth leather in color of the leather surround with embossed Porsche logo and stitching.			CFX 810	Cayman	\$320
					Cayman S	\$320
Seats						
342	Heated Front Seats Two stage heated front seats.			P03	Cayman	\$500
					Cayman S	\$500
541	Seat Ventilation Seat ventilation for both seats.		342 573	P01 P03 P77 982	Cayman	\$800
					Cayman S	\$800
982	Supple Leather Front and Rear Soft ruffled leather on front seat center	AT BG DF FE		P01 P03 P77	Cayman	\$365
		TG MB RA 05 06 07 99		541	Cayman S	\$365
P01	Adaptive Sport Seats Sport seats with electric adjustment for all seats functions, adjustable side bolsters, memory function for seat, and mirrors. Includes lumbar adjustment on driver side. Seatbacks in Volcano Grey.			AN DC FB TD P03 P15 P77 541 982	Cayman	\$2,695
					Cayman S	\$2,695
P03	Sports Bucket Seats	AP DD FC TE		AN DC FB TD	Cayman	\$2,695
		AT BG DF FE TG MB RA 05 06 07 99		P01 P15 P77 342 509 541 982	Cayman S	\$2,695
P15	Power Seat Package Electrically adjustable seats with driver memory. Includes adjustable lumbar support for driver and passenger.			AP DD FC TE P01 P03 P77	Cayman	\$1,550
					Cayman S	\$1,550
XSC	Porsche Crest in Headrest Headrests on front seats embossed with Porsche Crest.				Cayman	\$285
					Cayman S	\$285
Audio & Communications						
461	Rod Antenna Externally mounted antenna to improve AM reception. Location: right front fender.			686	Cayman	\$0
					Cayman S	\$0
490	Sound Package Plus Includes 7 speakers and CD storage in glove box.			680	Cayman	\$700

Option	Description	Must Pick	Required	Conflict	Model	Price (USD)
619	Bluetooth Interface for Mobile Phone Bluetooth Interface for hands free mobile phone use. Operation of basic phone functions on PCM or multi-function steering wheel (if applicable).			618 666	Cayman	\$695
					Cayman S	\$695
635	Park Assist System Parking aid with four integrated sensors located in rear bumper only.				Cayman	\$530
					Cayman S	\$530
639	Sport Chrono Package Includes analog and digital chronometer, sport button in center console also adds ability to adjust lighting, wipers, AC and door locking to suit personal preference. NOTE: In combination with PDK the price is \$1320.			P23 640	Cayman	\$960
					Cayman S	\$960
640	Sport Chrono Package Plus Package includes analog and digital chronometer, sport button in center console and display in the PCM also adds ability to adjust lighting, wipers, AC and door locking to suit personal preference. NOTE: In combination with PDK the price is \$1320.		P23	639	Cayman	\$960
					Cayman S	\$960
641	Electronic logbook Enables automatic acquisition of mileage, driving distance, date, time and address of starting point and destination at every trip including PC-software for data download and evaluation.		P23		Cayman	\$650
					Cayman S	\$650
671	PCM Voice Control Voice activation for navigation, telephone, and stereo functions. Available for customer specified orders only.		P23		Cayman	\$595
					Cayman S	\$595
680	Bose Surround Sound System BOSE® Surround Sound System with 10 speakers and 325 Watt total output. Includes CD storage in glove compartment.			490	Cayman	\$1,690
					Cayman S	\$990
686	XM Radio Allows reception of XM Satellite Radio and, new for MY09, XM NavTraffic. Complimentary 3-month service included - after 3 months, subscription is required. Note: XM service is not available in Alaska or Hawaii.		P23	461	Cayman	\$750
					Cayman S	\$750
692	Remote CD Changer (6 Disc) Holds up to 6 CDs, features digital anti-shock memory (no jumping of music tracks) and MOST® connection.			P23	Cayman	\$650
					Cayman S	\$650
693	6-Disc CD/DVD Changer Integrated in PCM. Includes ability to play MP3 music files and Audio DVDs.		P23		Cayman	\$650
					Cayman S	\$650

Option	Description	Must Pick	Required	Conflict	Model	Price (USD)
870	Universal Audio Interface On vehicles not equipped with PCM, includes an Auxiliary-In port. On PCM equipped vehicles, includes an iPod® port, a USB port for memory sticks or MP3 players, and an Auxiliary-In port for other external devices. iPods and USB sticks are fully controllable via PCM. For other auxiliary devices, a limited range of functions are accessible via PCM. NOTE: In combination with PCM the price is \$440.				Cayman Cayman S	\$95 \$95
P23	PCM 3.0 including Extended Navigation 6.5" screen with touchscreen controls. Dual tuner audio system with integrated MP3-able CD/DVD-player supporting audio/video DVDs, GPS harddisc-based navigation module with dynamic route planning. On board computer with simultaneous indicator of basic audio and navigation.	490 680		639 692	Cayman Cayman S	\$3,110 \$3,110
Technical						
220	Limited Slip Rear Differential Lock Friction disc lock on rear axle. Pull - 22% and Push - 27%.		250		Cayman Cayman S	\$950 \$950
250	7-speed Porsche Doppelkupplung (PDK) 7 speed Porsche Doppelkupplung (PDK) double clutch transmission with manual steering wheel speedshift and automatic transmission. Replaces previous Tiptronic transmission.			XPA XPV 431 451 453 460	Cayman Cayman S	\$3,420 \$3,420
425	Rear Window Wiper Rear wiper for the hatch window				Cayman Cayman S	\$360 \$360
450	Porsche Ceramic Composite Brake (PCCB) Porsche Ceramic Composite Brake (PCCB) system. Carbon-fiber reinforced ceramic brake discs, internally ventilated and perforated, and yellow painted brake calipers.				Cayman S	\$8,150
475	Porsche Active Suspension Management (PASM) Porsche Active Suspension Management system. Includes active management of suspension firmness and a ride height decrease of -10mm from the standard suspension.				Cayman Cayman S	\$1,990 \$1,990
509	Fire Extinguisher DIN EN3-compliant powder-based system containing 1 kg of extinguishant. Stows neatly beneath driver's seat.				Cayman Cayman S	\$140 \$140
549	Roof Transport System Basic rack for roof-rack system				Cayman Cayman S	\$400 \$400

Option	Description	Must Pick	Required	Conflict	Model	Price (USD)
P12	Self-Dim Mirrors & Rain Sensor Auto dimming interior and exterior mirrors. Rain sensor to control wiper speed.				Cayman	\$690
					Cayman S	\$690
P75	Bi-Xenon Headlights with Dynamic Cornering Lights				Cayman	\$1,560
					Cayman S	\$1,560
XCZ	Sport shifter Reduces shift travel for highly efficient shifting. Note: only in conjunction with manual transmission.			250	Cayman	\$765
					Cayman S	\$765
XLF	Sport Exhaust System Includes modified silencers. Integrated switch in lower switch trim. In conjunction with Sport Chrono Package/Plus the sports button replaces the function of the integrated switch of the sports exhaust system.			XLS	Cayman	\$2,500
					Cayman S	\$2,500

Wheels

394	17" Boxster III Wheel			XRR 220 404 405 407 408 409 419	Cayman	\$390
404	19" Turbo Wheel 19 inch Turbo wheels, forged, two-tone. Front: 8J x 19 with 235/35 ZR 19 tires. Rear: 11J x 19 with 305/30 ZR 19 tires.			XDA XDB XDC	Cayman	\$3,675
				XDD XDE XD9 XRR 394 405 407 408 409 419 446	Cayman S	\$2,440
405	19" Carrera Classic Wheel One-piece alloy wheel with slimline five-spoke design. Front: 8J x 19 with 235/35 ZR 19 tires. Rear: 11J x 19 with 295/30 ZR 19 tires.			XDA XDB XDC	Cayman	\$3,175
				XDD XDE XD9 XRR 394 404 407 408 409 419	Cayman S	\$1,940
407	19" Sport Design Wheel One-piece alloy wheel with multi-spoke race-derived design. Front: 8J x 19 with 235/35 ZR 19 tires. Rear: 11J x 19 with 295/30 ZR 19 tires.			XRR 394 404	Cayman	\$3,175
				405 408 409 419	Cayman S	\$1,940
408	18" Boxster S II wheel			XRR 394 404	Cayman	\$1,235
				405 407 409 419	Cayman S	\$390
409	18" Cayman S II wheel			XRR 394 404	Cayman	\$1,235
				405 407 408 419		

Option	Description	Must Pick	Required	Conflict	Model	Price (USD)
419	19" Carrera S II wheel One piece alloy wheels in prominent 5 spoke design with double spoke end.			XRR 394 404	Cayman	\$2,785
				405 407 408 409	Cayman S	\$1,550
446	Wheel Caps with Colored Crest Wheel Caps with full-color Porsche Crest.			XD9 XRR 404	Cayman	\$185
					Cayman S	\$185
CRX	Wheels Painted in Deviating Exterior Color Painted wheels (partially) and wheel centers including color Porsche crest in deviating exterior color. Note: Wheels painted in matching exterior color is only available as option XD9. Only available in standard and special colors.		407	XDA XDB XDC	Cayman	\$2,160
				XDD XDE XD9	Cayman S	\$2,160
				XRR 404 405 446		
XD9	Rims and Caps - Exterior Color Painted wheels (partially) and wheel centers including colored Porsche crest.	407	XRR	X1 XDA XDB	Cayman	\$1,390
				XDC XDD XDE 404 405 446	Cayman S	\$1,390
XDA	Wheels Painted Black	407	XRR	A1 XDB XDC	Cayman	\$1,815
				XDD XDE XD9 404 405 446	Cayman S	\$1,815
XDB	Wheels Painted Basalt Black	407	XRR	Z4 XDA XDC	Cayman	\$1,815
				XDD XDE XD9 404 405 446	Cayman S	\$1,815
XDC	Wheels Painted Speed Yellow	407	XRR	X4 XDA XDB	Cayman	\$1,815
				XDD XDE XD9 404 405 446	Cayman S	\$1,815
XDD	Wheels Painted Carrara White	407	XRR	B4 XDA XDB	Cayman	\$1,815
				XDC XDE XD9 404 405 446	Cayman S	\$1,815
XDE	Wheels Painted Guards Red	407	XRR	G1 XDA XDB	Cayman	\$1,815
				XDC XDD XD9 404 405 446	Cayman S	\$1,815
XRP	5mm Wheel spacers On front and rear axle, including a longer wheel bolt. Note: includes anti-theft device.			XRR	Cayman	\$490
					Cayman S	\$490
XRR	19" Carrera Sport Wheel Set of one-piece alloy wheels with ten-spoke design. Including wheel painted in GT-silver metallic and polished rim. Front: 8.5J x 19 with 235/35 ZR 19 tires. Rear: 11.5J x 19 with 305/30 ZR 19 tires.			XRP 394 404	Cayman	\$3,620
				405 407 408	Cayman S	\$2,385
				409 419 446		

Option	Description	Must Pick	Required	Conflict	Model	Price (USD)
Interior Options						
345	Heated Steering Wheel		342 250		Cayman Cayman S	\$190 \$190
573	Automatic Climate Control With exterior and interior temperature sensors, solar sensor, and active carbon filter.				Cayman Cayman S	\$550 \$550
580	Rear Luggage Partition Luggage Partition - Rear				Cayman Cayman S	\$270 \$270
CEF	LED Door Storage Pocket Lighting LED lighting in door storage bin (left/right)				Cayman Cayman S	\$330 \$330
Interior Cosmetic						
594	Roofliner in Alcantara In Sand Beige, Steel Grey, or Black. Matched to interior color.				Cayman Cayman S	\$1,180 \$1,180
805	Interior Design Package Rear wall trim, B-pillar belt outlet, rear side panels, rear storage compartment lids, rear speaker grilles, strut-tower trim, dashboard trim-strip and gear console surround painted in exterior color.			98 99 789 801 803	Cayman Cayman S	\$1,190 \$1,190
X70	Metal Door Sill Model Insignia Door entry guards in stainless steel with Cayman/Cayman S logo.			CUA CXB CXC CXD CXE X69	Cayman Cayman S	\$415 \$415
XFD	Instrument Dials Sand Beige Paint finish in Sand Beige.			XFG XFH XFJ	Cayman Cayman S	\$690 \$690
XFG	Instrument Dials Guards Red Paint finish in Guards Red.			XFD XFH XFJ	Cayman Cayman S	\$690 \$690
XFH	Instrument dials Speed Yellow Paint finish in Speed Yellow.			XFD XFG XFJ	Cayman Cayman S	\$690 \$690
XFJ	Instrument Dials Carrara White Paint finish in Carrara White.			XFD XFG XFH	Cayman Cayman S	\$690 \$690
XSH	Seat Belts Silver Full set of belts for driver and passenger.			XST XSX XSY	Cayman Cayman S	\$340 \$340
XST	Seat Belts in Sand Beige Full set of belts for driver and passenger.			XSH XSX XSY	Cayman Cayman S	\$340 \$340

Option	Description	Must Pick	Required	Conflict	Model	Price (USD)
XSX	Seat Belts - Guards Red Full set of belts for driver and passenger.			XSH XST XSY	Cayman	\$340
					Cayman S	\$340
XSX	Seat Belts - Speed Yellow Full set of belts for driver and passenger.			XSH XST XSX	Cayman	\$340
					Cayman S	\$340
XXZ	Foot Rest Aluminum Driver's side foot rest in aluminum and rubber.				Cayman	\$250
					Cayman S	\$250
Interior Options in Leather						
431	3-Spoke Multi-function Steering Wheel Smooth leather finish in interior color on steering wheel rim (with cross-stitched seam) and airbag module.			XPA XPU XPV 250 345 451 453 460 844 845 847	Cayman	\$870
					Cayman S	\$870
460	3-Spoke Sport Steering Wheel in Smooth Leather Smaller wheel diameter with rounded center and contoured rim with thumb rests. Smooth leather finish in interior color on steering wheel rim (with cross stitched seam) and airbag module.			XPA XPU XPV 250 345 431 451 453 844 845 847	Cayman	\$255
					Cayman S	\$255
844	3-Spoke Multifunction Steering Wheel for PDK		250	XPA XPU XPV 431 451 453 460 845 847	Cayman	\$615
					Cayman S	\$615
EBF	Additional Interior Package Leather Smooth leather finish in interior color on instrument surround [2.0d], side air vent slats [2.5b], central air vent slats [2.6b], and door opener trim [3.2c].			EBJ XTL XTT	Cayman	\$1,380
					Cayman S	\$1,380
XMP	Leather Sun Visors Sun visors and vanity mirror covers in smooth leather in interior color.			CVV	Cayman	\$560
					Cayman S	\$560
XMZ	Rear Center Console in Leather Smooth leather finish in interior color on rear section of center console, including ashtray cover and handbrake lever recess trim.			XCK XJT XME XMJ	Cayman	\$1,260
					Cayman S	\$1,260
XNS	Steering Column in Leather Steering column casing (three-part) in smooth leather finish in interior color.				Cayman	\$420
					Cayman S	\$420
XPA	Thicker Steering Wheel in Leather Thicker 3-spoke sports steering wheel in smooth leather in interior color.			XPU XPV 250 345 431 451 453 460 844 845 847	Cayman	\$510
					Cayman S	\$510
XV1	Defroster Trim in Leather				Cayman	\$535
					Cayman S	\$535

Option	Description	Must Pick	Required	Conflict	Model	Price (USD)
Custom Tailoring and Deviations - Leather						
CDT	Seat Belt Buckles in Leather Seat belt buckles in leather. Decorative stitching where appropriate.				Cayman Cayman S	\$535 \$535
CDW	"Y" Trim Strng Wheel in Leather Smooth leather finish in interior color on "Y" trim of steering wheel.	431 451 453 XPV CPA CLA		XPA XPU 250 460 844 845 847	Cayman Cayman S	\$275 \$275
CDZ	Gear Lever Trim Leather Gear lever trim smooth leather finish in interior color. Includes decorative stitching where appropriate.			DAW DAX 250	Cayman Cayman S	\$260 \$260
CNA	Defroster Trim in Leather Smooth leather finish in interior color on defroster trim and loudspeaker finisher on switch panel.				Cayman Cayman S	\$535 \$535
CNB	Defroster Air Vents in Leather Smooth leather finish in interior color on defroster air vents. Soft touch paint finish in interior color on defroster air vent slats.				Cayman Cayman S	\$365 \$365
CPA	Thicker Multi-function Steering Wheel in Leather Thicker three-spoke steering wheel rim with cross-stitched seam.		431	CLA XPA XPU XPV 250 451 453 460 844 845 847	Cayman Cayman S	\$965 \$965
CPT	Storage Lid Bin with Porsche Crest Smooth leather finish in interior color on lid of storage bin in rear section of center console with Porsche crest. Includes decorative stitching where appropriate.			CLG CUV DAY	Cayman Cayman S	\$295 \$295
CPU	Key Pouch in Interior Color Leather In smooth leather in interior color with embossed Porsche crest and decorative seam.				Cayman Cayman S	\$95 \$95
CTG	Inner Sill Finishers Leather Inner sill finishers in leather interior color.				Cayman Cayman S	\$775 \$775
CUJ	Fuse Box Trim Leather Smooth leather finish in interior color on fuse box cover. Includes decorative stitching where appropriate.				Cayman Cayman S	\$155 \$155
CUR	PCM Package in Leather Smooth leather finish in interior color on PCM trim, climate control trim, lower switch trim, lower storage bin. Available from approximately 3/2009.		P23	CCP CMF CUF	Cayman Cayman S	\$2,225 \$2,225

Option	Description	Must Pick	Required	Conflict	Model	Price (USD)
CUV	Storage Compartment Lid with Model Logo Smooth leather finish in interior color on lid of storage bin in rear section of center console with Cayman S logo. Includes decorative stitching where appropriate.			CLG CPT DAY	Cayman S	\$295
CVP	Trim Strip Leather Smooth leather finish in interior color on trim strip switch panel including cupholder trim.			CDE CDM CLE CMM DAY EBF 801 803 805	Cayman Cayman S	\$605 \$605
CWV	Rear View Mirror Leather Rear view mirror frame, rear view mirror casing, rear view mirror mounting in leather in interior color.				Cayman Cayman S	\$475 \$475
CVY	Clothes Hook on Seat Backrest in Leather Clothes hook on seat backrest in smooth leather finish in interior color. Includes decorative stitching where appropriate.			P03	Cayman Cayman S	\$250 \$250
CWV	Instrument Surround in Leather Instrument surround [2.0d] in smooth leather finish in interior color.			CDP CMP CWW EBF	Cayman Cayman S	\$440 \$440
DAA	Interior Package A Pillar in Leather Smooth leather finish in interior color on switch panel end trim, ignition lock surround, and mirror attachment point finishers including mirror controls and base plate. Includes decorative stitching where appropriate.				Cayman Cayman S	\$740 \$740
DAW	Gear Lever and Handbrake Lever Aluminum/Leather Gear lever and handbrake in leather and aluminum. Valid only with interior to sample or when ordering deviating stitching.			CDZ DAT DAX ECA ECC XFP 250 801 803	Cayman Cayman S	\$2,130 \$2,130
DAY	Interior Package Leather in Cayman Look Smooth leather finish in interior color with embossed Cayman look including decorative stitching where appropriate: trim strip switch panel including cupholder trim (five-part), lid of storage bin in rear section of center console.			CDM CLE CLG CMM CPT CUV CVP 805	Cayman Cayman S	\$1,000 \$1,000
DAZ	PDK Gear Selector and Handbrake Lever Customization Package Handbrake lever [4.3a] in aluminum. Gear selector [4.1a], upper section of handbrake finisher [4.3b], PDK gear selector gate surround [4.1c] in smooth leather finish in interior color, including decorative stitching. Lower section of handbrake finisher [4.3c] in aluminum look paint finish. Note: only available with leather in color to sample and/or with stitching in deviating color.		250	CFP DAP XFP XWR XWS XWT XWU 801 803	Cayman Cayman S	\$2,390 \$2,390

Option	Description	Must Pick	Required	Conflict	Model	Price (USD)
Interior Options in Aluminum Look						
EBJ	Additional Interior Package in Aluminum Look Paint finish in Aluminum Look on instrument surround [2.0d], lid of door storage bin [3.3a], lid extension on door storage bin [3.3c], and door opener trim [3.2c].			EBF XTL XTT	Cayman Cayman S	\$1,470 \$1,470
ECA	Gear Lever and Handbrake Lever in Aluminum Look Gear lever and handbrake lever (partially) in Aluminum. Smooth leather finish in interior color on inlays in gear lever and handbrake finisher (upper section). Aluminum Look paint finish on handbrake finisher (lower section).			250 801 803	Cayman Cayman S	\$1,035 \$1,035
ECB	PDK Gear Selector and Handbrake Lever in Aluminum PDK gear selector [4.1a] and handbrake lever [4.3a] in aluminum. Smooth leather finish in interior color inlays on PDK gear selector, upper section of handbrake finisher [4.3b]. Aluminum Look paint finish on lower section of handbrake finisher [4.3c]. Note: when in conjunction with leather in color to sample smooth leather finish is in Black. Note: available from approximately 02/2009.		250	DAP DAZ ECA ECC XFP 801 803	Cayman Cayman S	\$1,075 \$1,075
XCK	Rear Center Console in Aluminum Look Aluminum Look Paint finish on rear section of center console, including ashtray cover. Smooth leather finish in interior color on handbrake lever recess trim.			XJT XME XMJ XMZ	Cayman Cayman S	\$730 \$730
XPU	3-spoke Multifunction Steering Wheel in Aluminum Look for PDK Steering wheel rim [2.2a] with smooth leather finish and inserts in Aluminum Look paint finish. Steering wheel hub cover [2.2g] in smooth leather finish. Note: when in conjunction with leather in color to sample the airbag module [2.2b] and leather parts are in Black.		250 345	XPA XPV 431 451 453 460 844 845 847	Cayman Cayman S	\$980 \$980
XPV	Aluminum Look Multi-function Steering Wheel Aluminum Look paint finish with smooth leather in interior color on steering wheel rim (with cross stitched seam). Smooth leather finish in interior color on airbag module and steering wheel hub cover.			XPA XPU 250 345 431 451 453 460 844 845 847	Cayman Cayman S	\$1,360 \$1,360
Custom Tailoring and Deviations - Aluminum Look						
CCP	PCM Package in Aluminum Look Aluminum Look paint finish: PCM trim, climate control trim, lower switch trim, lower storage bin.		P23	CMF CUF CUR	Cayman Cayman S	\$2,225 \$2,225
CDA	Air Vent Slats in Aluminum Look Aluminum look paint finish on side air vent slats and central air vent slats. Smooth leather finish in interior color on side air vents, central air vent including switch trim.			CDN CKB CMN EBF	Cayman Cayman S	\$1,190 \$1,190

Option	Description	Must Pick	Required	Conflict	Model	Price (USD)
CDD	"Y" Trim Steering Wheel in Aluminum Look	431 451 453 XPV CPA CLA		CDW XPA 250	Cayman	\$275
				460 844 845 847	Cayman S	\$275
CDE	Trim Strip in Aluminum Look Aluminum Look paint finish on trim strip switch panel, including cupholder trim.			CDM CLE CMM CVP DAY 801 803 805	Cayman	\$520
CDF	Gear Lever Trim in Aluminum Look			CDJ CMJ 805	Cayman	\$295
CFP	Tiptronic S Handbrake Lever in Aluminum and Leather Inlay in handbrake lever with Porsche logo in aluminum. Handbrake lever and handbrake finisher (upper section) in smooth leather finish in interior color. Handbrake finisher (lower section) in aluminum look paint finish.		250	DAP DAZ XFP	Cayman	\$775
				801 803	Cayman S	\$775
CNW	Lower Part of Side Mirrors in Aluminum Look Opaque Aluminum Look paint finish (opaque) on lower part of side mirror. Note: recommended in combination with exterior package Aluminum Look opaque (option DAF).				Cayman	\$550
					Cayman S	\$550
CNX	Spoiler Lips Aluminum Look Aluminum Look paint finish on spoiler lips. Note: recommended in conjunction with exterior package Aluminum Look opaque.			CNJ XAM	Cayman	\$485
					Cayman S	\$485
CWW	Instrument Surround in Aluminum Look Aluminum Look paint finish on instrument surround [2.0d].			CDP CMP CWW	Cayman	\$440
				EBF	Cayman S	\$440
Interior Options in Carbon						
453	3-Spoke Multifunction Steering Wheel in Carbon Steering wheel rim with smooth leather finish and carbon inserts. Airbag module with smooth leather finish. Note: only in conjunction with PCM.			XPA XPU XPV	Cayman	\$1,125
				250 345 431 451 460 844 845 847	Cayman S	\$1,125
803	Carbon Package Carbon fiber finish on dashboard trim strip including cupholder trim, five part gear lever/Tiptronic selector, and handbrake lever.			ECA ECB ECC	Cayman	\$890
				XFP 801 805	Cayman S	\$890
845	3-spoke Multi-function Steering Wheel in Carbon for PDK		250 345	XPA XPU XPV	Cayman	\$980
				431 451 453 460 844 847	Cayman S	\$980
X69	Carbon Door Sil Model Insignia Door entry guards in carbon with Cayman logo.			CUA CXB CXC	Cayman	\$570
				CXD CXE X70	Cayman S	\$570

Option	Description	Must Pick	Required	Conflict	Model	Price (USD)
XMJ	Rear Center Console in Carbon Carbon Fiber finish on rear section of center console, including ashtray cover. Smooth leather finish in interior color on handbreak lever recess trim.			XCK XJT XME	Cayman	\$1,625
				XMZ	Cayman S	\$1,625
XTL	Door Finishers in Carbon Carbon fiber finish: lid of storage bin, lid extension on door storage bin, and door opener trim.			EBF EBJ XTT	Cayman	\$2,150
					Cayman S	\$2,150
Custom Tailoring and Deviations - Carbon						
CXD	Door Entry Guards in Carbon, Illuminated Door entry guards in carbon with Cayman/Cayman S logo, illuminated in white.			CUA CXB CXC	Cayman	\$1,280
				CXE X69 X70	Cayman S	\$1,280
Customer Tailoring and Deviations - Alcantara						
CLA	Steering Wheel in Alcantara Thicker steering wheel rim in Alcantara black with cross-stitched seam. Airbag module is not in Alcantara.	431 460		CPA XPA XPV	Cayman	\$1,105
				250 451 453	Cayman S	\$1,105
CLE	Trim Strip Switch Panel in Alcantara Trim strip in Alcantara including cup holder.			CDE CDM	Cayman	\$775
				CMM CVP DAY 801 803 805	Cayman S	\$775
CLF	Door Finishers in Alcantara Front of door handle and lid of door storage bin in black Alcantara.			XTL XTT	Cayman	\$1,380
					Cayman S	\$1,380
CLG	Lid of Storage Bin in Alcantara with Logo Alcantara finish in black on lid of storage bin in rear center console with Porsche logo. Includes decorative stitching where appropriate.			CPT CUV DAY	Cayman	\$490
					Cayman S	\$490
DAP	PDK Gear Selector and Handbrake Lever in Alcantara Alcantara finish in Black, including decorative stitching where appropriate, on PDK gear selector [4.1a], handbrake lever [4.3a], handbrake finisher [upper section; 4.3b]. Inlay in handbrake lever [4.3a] in aluminum with Porsche logo. Handbrake finisher (lower section; 4.3c) in Aluminum look paint finish.	250		CFP DAZ XFP	Cayman	\$1,880
				801 803	Cayman S	\$1,880
DAT	Gear and Handbrake Lever in Alcantara Alcantara finish in black with decorative stitching where appropriate on gear lever, handbrake lever, and handbrake finisher. Decorative trim on shift pattern including middle shift pattern and inlay in handbrake lever (with Porsche Logo) in aluminum. Aluminum look paint finish on handbrake finisher.			DAW DAX ECA	Cayman	\$1,880
				ECC 250 801 803	Cayman S	\$1,880

Option	Description	Must Pick	Required	Conflict	Model	Price (USD)
Interior Options in Dark Wood						
451	Makassar Multi-function Steering Wheel Three-spoke multi-function steering wheel in dark Makassar. Rim in smooth leather with wood inlay. Airbag module in smooth leather.			XPA XPU XPV 250 345 431 453 460 844 845 847	Cayman Cayman S	\$1,125 \$1,125
801	Makassar Package Dark Makassar finish: trim strip switch panel incl. cupholder trim, five part gear lever or Tiptronic selector, handbrake lever.			ECA ECB ECC XFP 803 805	Cayman Cayman S	\$890 \$890
847	3-Spoke Multifunction Steering Wheel Makassar for PDK		250 345	XPA XPU XPV 431 451 453 460 844 845	Cayman Cayman S	\$980 \$980
XJT	Rear Center Console Makassar Dark makassar finish on rear section of center console, including ashtray cover and storage tray on rear section of center console. Leather finish in interior color on handbrake lever recess trim.			XCK XME XMJ XMZ	Cayman Cayman S	\$1,625 \$1,625
XTT	Door Finishers Makassar Dark Macassar finish on lid of door storage bin, lid extension on door storage bin, and door opener trim.			EBF EBJ XTL	Cayman Cayman S	\$2,150 \$2,150
Custom Tailoring and Deviations - Wood						
CFC	PCM Handset Sycamore				Cayman Cayman S	\$820 \$820
Interior Options in Exterior Color						
CKB	Air Vents Painted in Exterior Color				Cayman Cayman S	\$905 \$905
XME	Rear Center Console in Exterior Color Paint finish in exterior color on rear section of center console, including ashtray cover and storage tray rear on section of center console. Leather finish in interior color on handbrake lever recess trim.			XCK XJT XMJ XMZ	Cayman Cayman S	\$730 \$730
XSA	Sport Seat Backs Painted in Exterior Color		P01 P77	98 99 789	Cayman Cayman S	\$1,580 \$1,580
Custom Tailoring and Deviations - Exterior Color						
CAE	Side Air Intakes Painted in Deviating Exterior Color			DAF	Cayman Cayman S	\$625 \$625

Option	Description	Must Pick	Required	Conflict	Model	Price (USD)
CAF	Front Air Intake Grilles Painted in Exterior Color			DAF	Cayman	\$625
					Cayman S	\$625
CDJ	Gear Lever Trim in Exterior Color Paint finish in exterior color on decorative trim on gear lever/selector.			CDF CMJ 805	Cayman	\$295
					Cayman S	\$295
CDM	Trim Strip Painted in Exterior Color Paint finish in exterior color on trim strip switch panel, including cupholder trim.			CDE CLE CMM CVP DAY 801 803 805	Cayman	\$520
					Cayman S	\$520
CDN	Air Vent Slats Painted in Exterior Color Paint finish in exterior color on side air vent slats and central air vent slats. Smooth leather finish in interior color on side air vents, central air vent including switch trim.			CDA CKB CMN EBF	Cayman	\$1,190
					Cayman S	\$1,190
CDP	Instrument Surround Painted in Exterior Color			CMP CWV CWW EBF	Cayman	\$440
					Cayman S	\$440
CET	Door Opener Trim Exterior Color			CMK EBF EBJ XTL XTT	Cayman	\$725
					Cayman S	\$725
CGA	Headlight Cleaner Cover in Exterior Color		P75		Cayman	\$225
					Cayman S	\$225
CMA	Side Mirror Attachment Point Finishers Painted Exterior Color				Cayman	\$500
					Cayman S	\$500
CMC	Door Opener Painted in Exterior Color			CDC	Cayman	\$550
					Cayman S	\$550
CNJ	Spoiler Lips Painted in Exterior Color			CNX XAM	Cayman	\$485
CUC	Painted Model Designation on Rear Lid Model designation on rear lid painted in exterior color.		498		Cayman	\$180
					Cayman S	\$180
CUF	PCM Package Painted in Exterior Color Paint finish in exterior color on PCM trim, climate control trim, lower switch trim, and lower storage bin. Note: available in color to sample only on request.		P23	CCP CMF CUR	Cayman	\$2,225
					Cayman S	\$2,225
DAF	Exterior package in Aluminum Look Aluminum Look paint finish (opaque) on front air intakes (left/right) and air inlet in the rear quarter panel. Note: recommended in conjunction with wing mirror (lower part) in Aluminum Look (order no. CNW). Available from approximately 01/2009.			CAE	Cayman	\$1,425
					Cayman S	\$1,425

Option	Description	Must Pick	Required	Conflict	Model	Price (USD)
Custom Tailoring and Deviations - Black						
CDC	Door Opener Painted Black			CMC	Cayman Cayman S	\$550 \$550
CMF	PCM package in Black Paint finish in Black on PCM trim, climate control trim, lower switch trim, and lower storage bin.		P23	CCP CUF CUR	Cayman Cayman S	\$2,225 \$2,225
CMJ	Gear Lever/Selector Trim Black			CDF CDJ 805	Cayman Cayman S	\$290 \$290
CMK	Door opener trim in Black Door Opener Trim Painted Black			CET EBF EBJ XTL XTT	Cayman Cayman S	\$725 \$725
CMM	Trim Strip Painted Black Paint finish in Black on trim strip switch panel including cupholder trim (five-part).			CDE CDM CLE CVP DAY 801 803 805	Cayman Cayman S	\$520 \$520
CMN	Air Vent Slats Painted Black Paint finish in Black on side air vent slats and central air vent slats. Smooth leather finish in interior color on side air vents and central air vent including switch trim.			CDA CDN CKB EBF	Cayman Cayman S	\$1,190 \$1,190
CMP	Instrument Surround Painted Black			CDP CWW CWW EBF	Cayman Cayman S	\$440 \$440
Custom Tailoring and Deviations - Other						
09991	All Exclusive Options with Deviating Stitching			970	Cayman Cayman S	\$0 \$0
25061	Carpeting In Deviating Color with Interior To Sample Carpeting in deviating color - only available conjunction with Interior To Sample (Interior '99').		25051 99	25071	Cayman Cayman S	\$0 \$0
25071	Carpeting in Deviating Color Carpeting Deviating Color when interior to sample (Interior '99') is not ordered.			99 25061	Cayman Cayman S	\$710 \$710
25081	Seat Stitching Deviating Thread			26001 970	Cayman Cayman S	\$630 \$630
				AP DD FC TE AT DF FE TG MB RA 05 06 07 99 AN DC FB TD		

Option	Description	Must Pick	Required	Conflict	Model	Price (USD)
25301	Upper Dashboard Panel Leather in Deviating Color	25664		25741 639	Cayman	\$470
		26002 00481		640 970	Cayman S	\$470
25341	Seat inlays in standard leather deviating color Leather Seat Inlays in Deviating Color	AT BG DF FE		25481 25781	Cayman	\$630
		TG MB RA 05 06 07 99		25801 25982 970	Cayman S	\$630
25601	Door Trim in Standard Leather Deviating Color	25662		970	Cayman	\$310
		26004 00481			Cayman S	\$310
25661	Door Handle Stitching in Deviating Color	AT BG DF FE		EBJ XTL XTT	Cayman	\$470
		TG MB RA 05 06 07 99		26003 970	Cayman S	\$470
25662	Door Trim Stitching in Deviating Color	AT BG DF FE		26004 970	Cayman	\$240
		TG MB RA 05 06 07 99			Cayman S	\$240
25663	Center Console Side Stitching in Deviating Color	AT BG DF FE		26005 970	Cayman	\$240
		TG MB RA 05 06 07 99			Cayman S	\$240
25664	Dashboard Stitching in Deviating Color	AT BG DF FE	26241	26002 970	Cayman	\$310
		TG MB RA 05 06 07 99			Cayman S	\$310
25741	Upper Dash Deviating Color w/ Sport Chrono Package Upper dashboard panel incl. stop-watch in standard leather deviating color	639 640		25301 970	Cayman	\$550
					Cayman S	\$550
25782	Door Center Panel in Standard Leather Deviating Color	AT BG DF FE		25482 970	Cayman	\$310
		TG MB RA 05 06 07 99			Cayman S	\$310
25801	Seat Inlays Alcantara in Deviating Color	FC TE DD AP		25051 25341	Cayman	\$630
		AT BG DF FE TG MB RA 05 06 07 99		25481 25982 541 970 982	Cayman S	\$630
25831	Lower Dashboard in Deviating Color Dashboard lower section/Glove compartment lid in standard leather, deviating color	AT BG DF FE		25981 970	Cayman	\$310
		TG MB RA 05 06 07 99			Cayman S	\$310
25861	Roof Liner in Alcantara Deviating Color		594	25891	Cayman	\$310
					Cayman S	\$310
25891	Roof Liner in Volcano Grey			BG DC DD DF	Cayman	\$310
				FB FC FE 05 25861 594	Cayman S	\$310

Option	Description	Must Pick	Required	Conflict	Model	Price (USD)
26031	Door Trim Strip Leather in Deviating Color	AT BG DF FE		970	Cayman	\$310
		TG MB RA 05 06 07 99			Cayman S	\$310
26241	Dashboard Stitching in Deviating Color		25664	26251 970	Cayman	\$310
					Cayman S	\$310
CGD	Sport Chrono Timer Display Painted in Sand Beige	639 640		CGG CGH CGJ	Cayman	\$500
					Cayman S	\$500
CGG	Sport Chrono Timer Display Painted in Guards Red	639 640		CGD CGH CGJ	Cayman	\$500
					Cayman S	\$500
CGH	Sport Chrono Timer Display Painted in Speed Yellow	639 640		CGD CGG CGJ	Cayman	\$500
					Cayman S	\$500
CGJ	Sport Chrono Timer Display Painted in Carrara White	639 640		CGD CGG CGH	Cayman	\$500
					Cayman S	\$500
CMX	Side Strips with Model Designation Side strips with Cayman/Cayman S logo in Guards Red, Speed Yellow, Black, Aluminum Look, Carrara White, Orange, Green, Dark Blue or Meteor Grey.				Cayman	\$775
					Cayman S	\$775
CXB	Door Entry Guards Stainless Steel Illuminated Door entry guards in stainless steel with Boxster logo, illuminated in White.			CUA CXC CXD	Cayman	\$775
				CXE X69 X70	Cayman S	\$775
Exterior Cosmetic						
498	Delete model designation Deletion of model designation.				Cayman	\$0
					Cayman S	\$0
XAM	Aerokit Comprises additional parts fixed on standard front apron, new fixed rear spoiler on rear hatch to optimize aerodynamics and design.				Cayman	\$4,990
					Cayman S	\$4,990
XAU	Grille in Rear Lower Section Trim grille (left/right) for rear lower section with paint finish in GT Silver Metallic				Cayman	\$390
					Cayman S	\$390
Additional Options						
TD5	Tourist Delivery Our factory collection program allows you to collect your Porsche directly from our factories in Germany, and includes a range of services including transport, coupon for 1 free hotel night, and a factory tour. *** Certain conditions apply, please see your local dealer for more information. ***				Cayman	\$2,250
					Cayman S	\$2,250